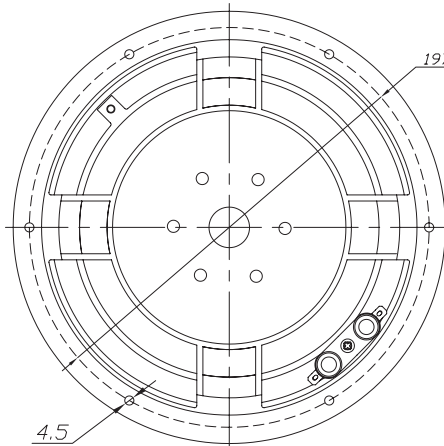
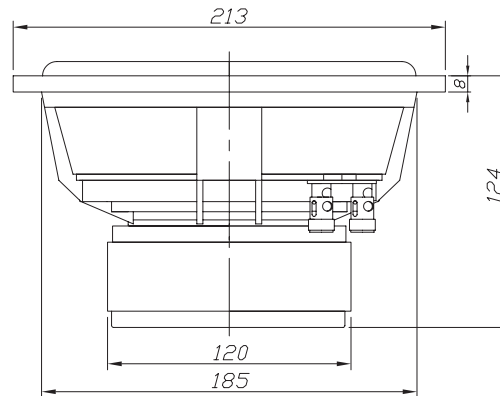


Features

- Black anodized aluminum cone
- 2" 2-layer voice coil
- Triple-shorting-ring motor
- Fully vented construction
- Rigid cast frame
- Rubber surround
- High power handling

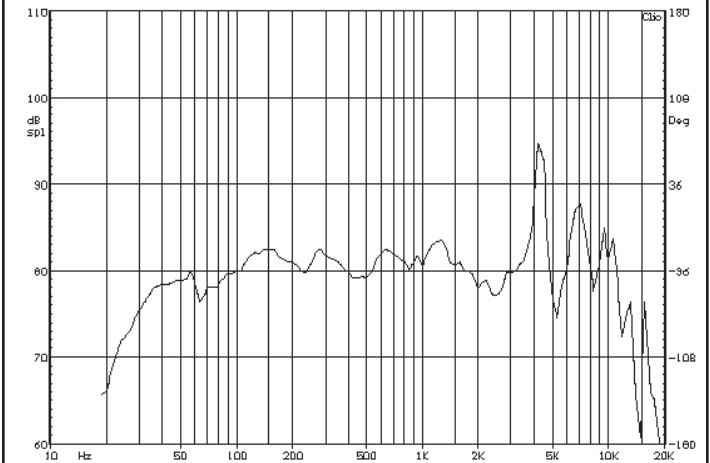
Parameters

| | |
|-----------------------------|-----------|
| Impedance (Ω) | 4 |
| Re (Ω) | 3.3 |
| Le (mH) @ 1 kHz | 0.68 |
| Fs (Hz) | 28.3 |
| Qms | 3.08 |
| Qes | 0.60 |
| Qts | 0.50 |
| Mms (g) | 66.02 |
| Cms (mm/N) | 0.48 |
| Sd (cm ²) | 219.0 |
| Vd (liters) | 197.1 |
| BL (Tm) | 7.76 |
| VAS (liters) | 32.4 |
| XMAX (mm) | 9 |
| VC Diameter (mm) | 51 |
| SPL (dB@1W/1m) | 83.0 |
| RMS Power Handling (w) | 280 |
| Usable Frequency Range (Hz) | 27 - 1000 |



Note: All dimensions in mm.

Frequency Response



Note: Due to testing limitations, response below 200 Hz is not an actual representation.

Impedance/Phase

