

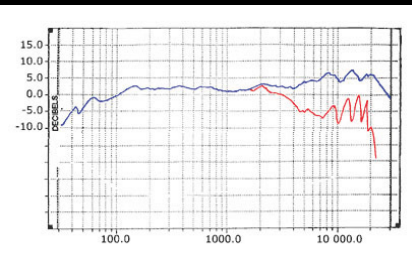
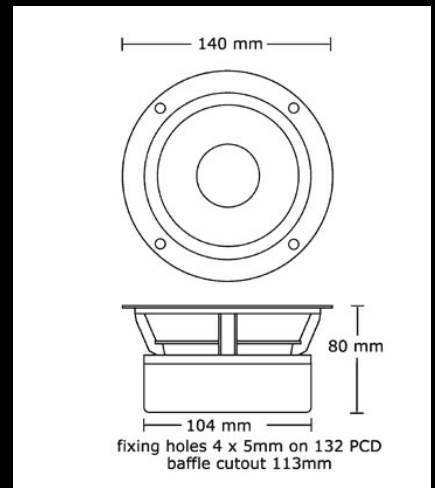
EJ Jordan



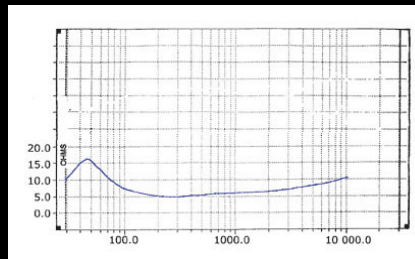
JORDAN JX92S.

Embracing a range of almost nine octaves, the JX92S offers the widest bandwidth of any single drive unit available. This not only provides an exceptionally smooth, high-definition, crossover-free sound quality but allows for a very diverse range of applications.

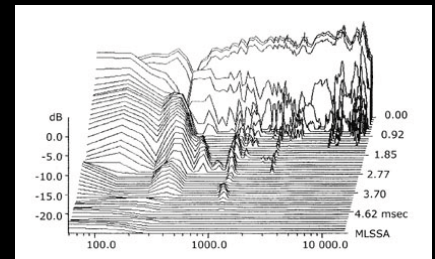
The JX92S can be successfully used with all types of enclosures including closed or vented boxes, transmission lines and horn loaded designs. It is eminently suitable for professional near-field monitors, high quality domestic hi-fi, home cinema and custom installations. The unit is magnetically screened, enabling it to be used in close proximity.



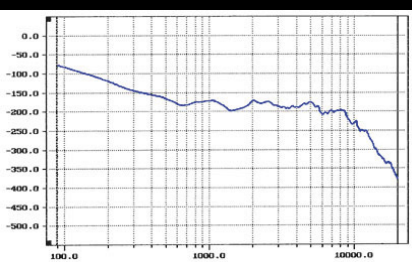
Frequency



Impedance



Waterfall MLSSA



Phase

Technical specifications

Free air resonance FO	Hz	45.0
Mechanical Q	Qm	1.35
Electrical Q	Qe	0.58
Total Q	Qt	0.40
Mechanical resistance	Rm N*s/m	1.48
Force factor	B*1 t*m	4.0
DC resistance	Re ohms	6
Dynamic mass	Md grams	7.0

System compliance	Cs m/N*E-0.4	17.7
Equip air volume	Vas litre	15.28
Cone area	Sd sq. cms	78.54
Sound pressure level	SPL 1m 1w	88.0
Min box volume (IB)	litres	3.0
Max box volume (vented)	litres	12.5
Power, continuous	watts	50
Power, music, in system	watts	100
Xmax p-p	m.m.	9.0