

## SLS 6½" Subwoofer



Type Number: 830946

### Features:

The SLS line combines high quality performance with an affordable design. These transducers are ideal for use in systems with high power handling requirements, and are logically combined with the SDS line.

[Go to Architecture Notes](#)



### Specs:

#### Electrical Data

|                                |      |      |     |
|--------------------------------|------|------|-----|
| Nominal impedance              | Zn   | 4    | ohm |
| Minimum impedance              | Zmin | 3.4  | ohm |
| Maximum impedance              | Zo   | 56.8 | ohm |
| DC resistance                  | Re   | 2.8  | ohm |
| Voice coil inductance          | Le   | 1.5  | mH  |
| Capacitor in series with x ohm | Cc   | --   | uF  |

#### T-S Parameters

|                         |     |      |                 |
|-------------------------|-----|------|-----------------|
| Resonance Frequency     | fs  | 36.1 | Hz              |
| Mechanical Q factor     | Qms | 6.2  |                 |
| Electrical Q factor     | Qes | 0.33 |                 |
| Total Q factor          | Qts | 0.31 |                 |
| Force factor            | Bl  | 8.3  | Tm              |
| Mechanical resistance   | Rms | 1.29 | Kg/s            |
| Moving mass             | Mms | 35.2 | g               |
| Suspension compliance   | Cms | 0.55 | mm/N            |
| Effective cone diameter | D   | 12.8 | cm              |
| Effective piston area   | Sd  | 129  | cm <sup>2</sup> |
| Equivalent volume       | Vas | 12.7 | ltrs            |
| Sensitivity (2.83V/1m)  |     | 86.5 | dB              |
| Ratio BL/√(Re)          |     | 5    |                 |
| Ratio fs/Qts            | F   | 117  |                 |

#### Power handling

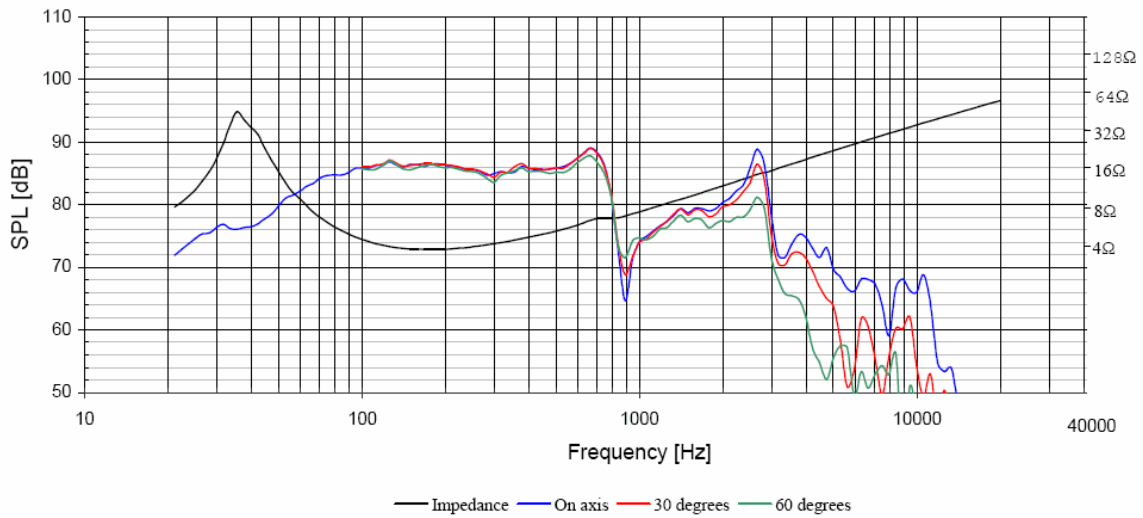
|                                 |     |      |
|---------------------------------|-----|------|
| 100h RMS noise test (IEC)       | 150 | W    |
| Long-term Max Power (IEC 18.3)  | 50  | W    |
| Max linear SPL (rms) @ power    | --  | dB/W |
| Short Term Max power (IEC 18.2) | --  | W    |

#### Voice Coil and Magnet Parameters

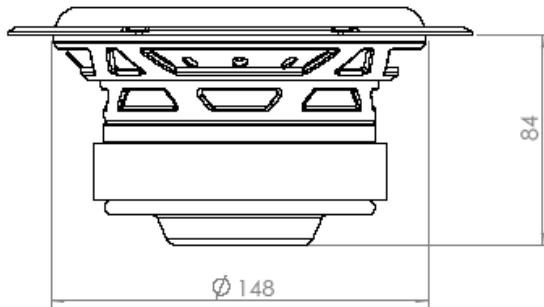
|                         |      |     |
|-------------------------|------|-----|
| Voice coil diameter     | 39   | mm  |
| Voice coil height       | 24   | mm  |
| Voice coil layers       | 4    |     |
| Height of the gap       | 8    | mm  |
| Linear excursion +/-    | 8    | mm  |
| Max mech. excursion +/- | --   | mm  |
| Flux density of gap     | --   | mWb |
| Total useful flux       | 1.3  | mWb |
| Diameter of magnet      | 115  | mm  |
| Height of magnet        | 22   | mm  |
| Weight of magnet        | 0.84 | Kg  |

Notes:  
IEC specs refer to IEC 60268-5 third edition.  
All Tymphany products are RoHS compliant.

## Frequency:



## Mechanical Dimensions:



### Drawing Dimensions

- Outside Diameter
- Flange Thickness
- Magnet Diameter
- Cutout Diameter
- Interior Depth
- Hole Diameter
- Screw Circle Diameter

