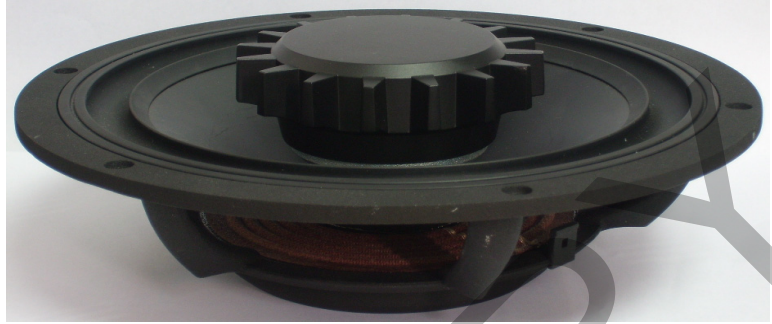


Model Number: P835028
Description: SSW 10inch Woofer

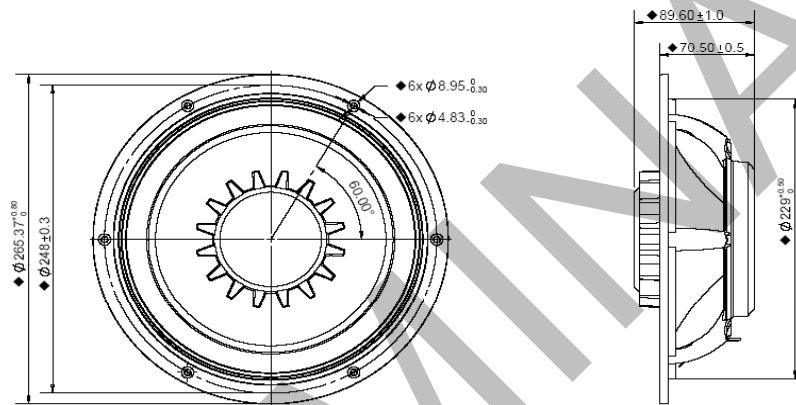
Revision: rev 1_0
Date: Sep 17 09



This product, the Peerless P835028 10" Shallow Subwoofer (SSW), is designed to provide deep bass with a shallow footprint. The product has a cast aluminium basket for structural rigidity, and a high power neodymium motor which enables the motor to be placed in front of the cone. The motor is heat-sinked in a fashion to take advantage of the airflow coming from the cone. The product is ideal for in-wall and shallow installations.



Mechanical 2D Drawing:



Specifications:

DC Resistance	R_{vc}	Ω	3.2	Energy Bandwidth Product	EBP	$(1/Q_{es}) \cdot f_s$	53
Minimum Impedance	Z_{min}	Ω	4.13	Moving Mass	M_{ms}	g	98.41
Voice Coil Inductance	L_e	mH	0.92	Suspension Compliance	C_{ms}	um/N	264.1
Resonant Frequency	f_s	Hz	31	Effective Cone Diameter	D	cm	12.2
Mechanical Q Factor	Q_{ms}	-	8.3	Effective Piston Area	S_D	cm ²	116.9
Electrical Q Factor	Q_{es}	-	0.58	Equivalent Volume	V_{as}	L	36.61
Total Q Factor	Q_{ts}	-	0.54	Motor Force Factor	BL	T·m	10.26
Ratio f_s / Q_{es}	F	f_s / Q_{es}	57	Motor Efficiency Factor	β	$(T \cdot m^2) / \Omega$	33.25
Half Space Sensitivity @ 2.83V	dB@2.83V/1m	dB	85.0	Voice Coil Former Material	VC_{fm}	-	TiI / glass fiber
Rated Noise Power (IEC 2685 18.1)	P	W	TBD	Voice Coil Inner Diameter	VC_d	mm	51.32
Test Spectrum Bandwidth	20-500	12 dB/Oct		Maximum Linear Excursion	X_{max}	mm	9.25
				Transducer Mass	-	kg	2.34

Frequency and Impedance Response:

