

## 4" Midrange

Type Number: MG10SD09-08

### Features:

Driver Highlights: 4" midrange, glass fibre cone, magnesium chassis, magnetically shielded



### Specs:

#### Electrical Data

Nominal impedance	Zn	8	ohm
Minimum impedance	Zmin	--	ohm
Maximum impedance	Zo	--	ohm
DC resistance	Re	5.5	ohm
Voice coil inductance	Le	0.33	mH

#### T-S Parameters

Resonance Frequency	fs	81	Hz
Mechanical Q factor	Qms	3.4	
Electrical Q factor	Qes	0.73	
Total Q factor	Qts	0.6	
Force factor	Bl	3.5	Tm
Mechanical resistance	Rms	--	Kg/s
Moving mass	Mms	3.2	g
Suspension compliance	Cms	--	mm/N
Effective cone diameter	D	--	cm
Effective piston area	Sd	38	cm <sup>2</sup>
Equivalent volume	Vas	2.5	ltrs
Sensitivity (2.83V/1m)		85	dB

#### Power handling

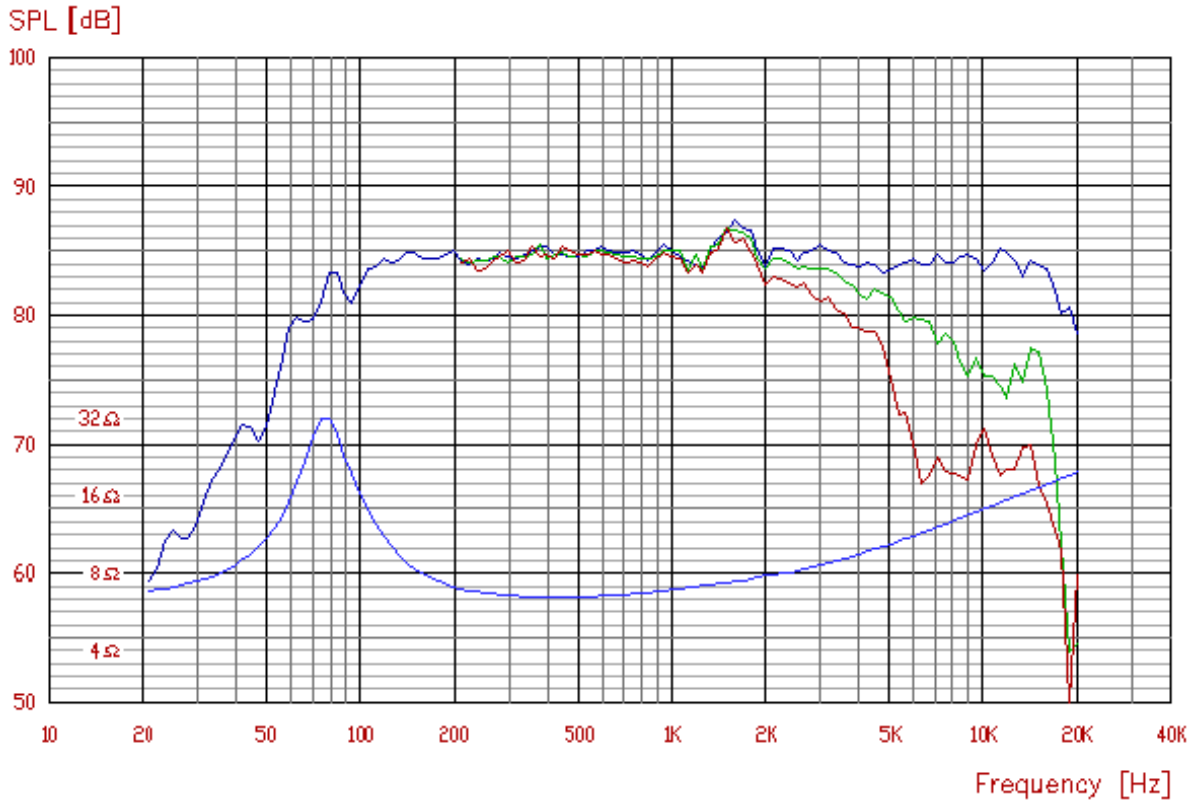
Long-term Max Power (IEC 18.3)	--	W
Max linear SPL (rms) @ power	--	dB/W
Short Term Max power (IEC 18.2)	--	W

#### Voice Coil and Magnet Parameters

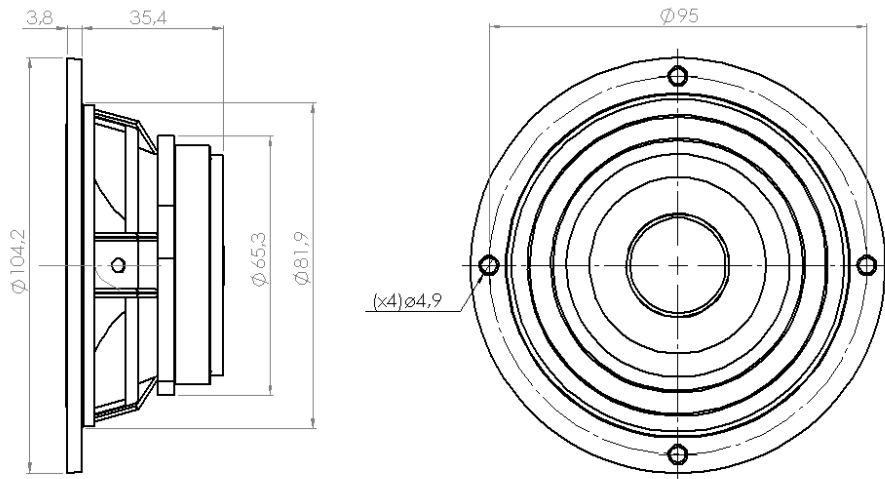
Voice coil diameter	20	mm
Voice coil height	5.1	mm
Voice coil layers	--	
Height of the gap	3.8	mm
Flux density of gap	--	mWb
Total useful flux	--	mWb
Diameter of magnet	--	mm
Height of magnet	--	mm
Weight of magnet	0.21	Kg

Notes:  
IEC specs refer to IEC 60268-5 third edition.  
All Tymphany products are RoHS compliant.

## Frequency:



## Mechanical Dimensions:



MG10SD09-08