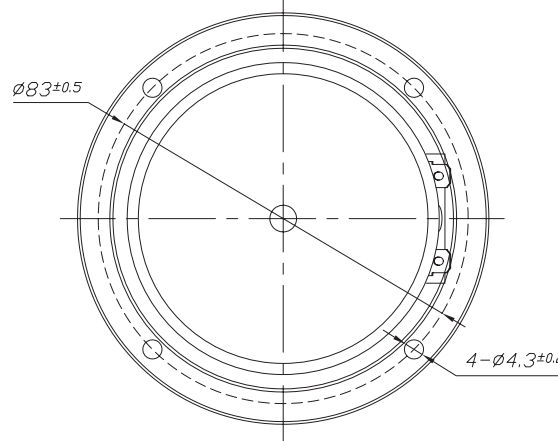
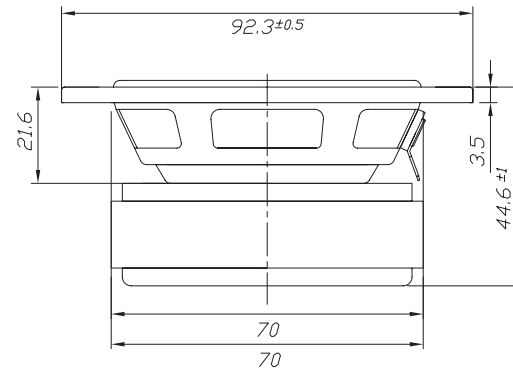


Features

- Rigid poly coated paper cone with rubber surround
- 13/16" 2-layer copper voice coil on aluminum former
- Linear Conex spider and strong ferrite motor for controlled motion
- Vented pole piece to reduce compression and increase heat dissipation
- Cosmetic stamped steel frame with low-profile lip no countersinking required
- Frequency response (.frd) and impedance (.zma) text files available
- Same "family look" as the Dayton Audio DVC series subwoofers and passive radiators

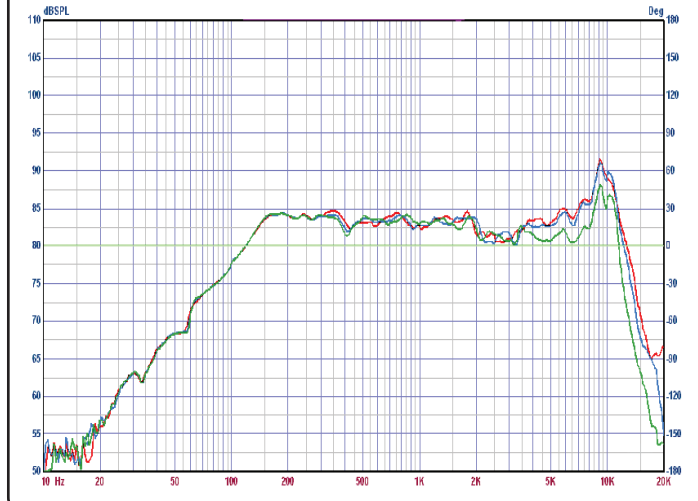
Parameters

Impedance (Ω)	8
Re (Ω)	6.5
Le (mH) @ 1 kHz	0.58
Fs (Hz)	74.7
Qms	2.07
Qes	0.50
Qts	0.40
Mms (g)	3.6
Cms (mm/N)	1.26
Sd (cm ²)	31.2
Vd (cm ³)	77.9
BL (Tm)	4.7
VAS (liters)	1.74
XMAX (mm)	2.5
VC Diameter (mm)	20.4
SPL (dB@2.83V/1m)	84.5
RMS Power Handling (w)	20
Usable Frequency Range (Hz)	80 - 13,000



Note: All dimensions in mm.

Frequency Response



Impedance/Phase

