

ND28F-6

1-1/8" Neodymium Dome Tweeter

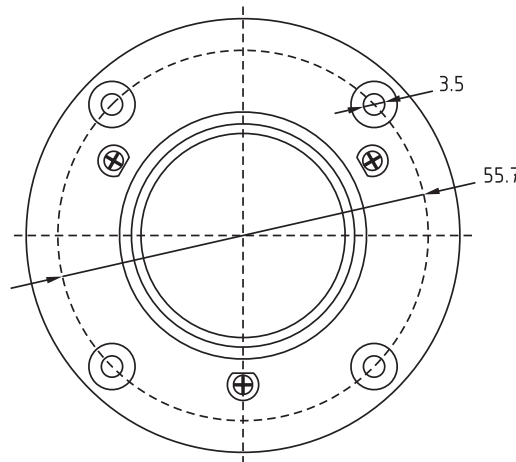
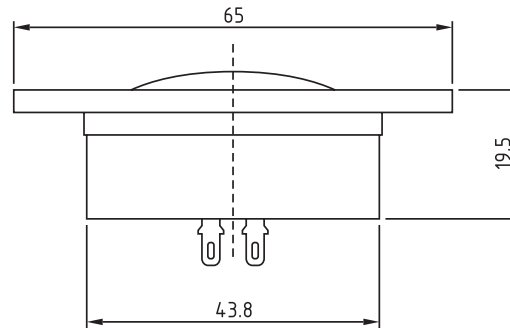


Features

- 1-1/8" textile soft dome
- Compact faceplate
- Powerful neodymium motor
- Ferrofluid cooled voice coil
- Clear and extended highs
- Great for line arrays

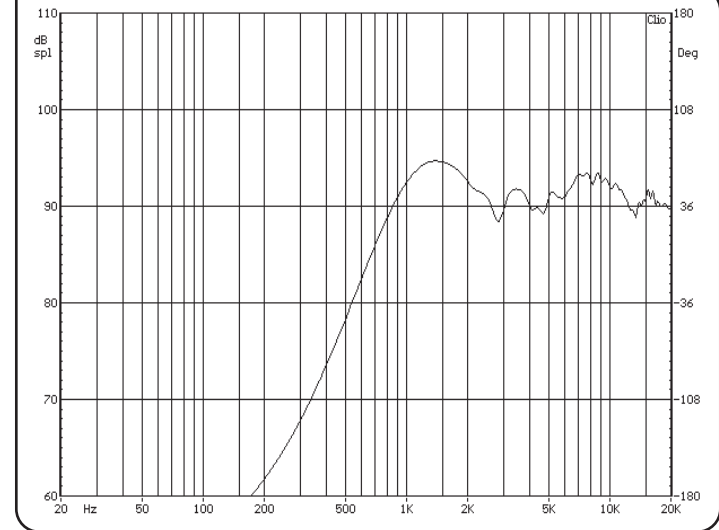
Parameters

| | |
|-----------------------------|----------------|
| Impedance (Ω) | 6 |
| Re (Ω) | 5.4 |
| Le (mH) @ 10 kHz | 0.08 |
| Fs (Hz) | 1,097.0 |
| Qms | 2.16 |
| Qes | 2.94 |
| Qts | 1.24 |
| Mms (g) | |
| Cms (mm/N) | |
| Sd (cm ²) | 4.9 |
| Vd (cm ³) | |
| BL (Tm) | |
| VAS (liters) | |
| XMAX (mm) | |
| VC Diameter (mm) | 25 |
| SPL (dB@1W/1m) | 88.4 |
| RMS Power Handling (w) | 30 |
| Usable Frequency Range (Hz) | 2,200 - 20,000 |



Note: All dimensions in mm.

Frequency Response



Impedance/Phase

