

Model Number: PLS-P830983
Product Line: Peerless Gold

Revision: Rev 1_0
Date: 9-Sep-09

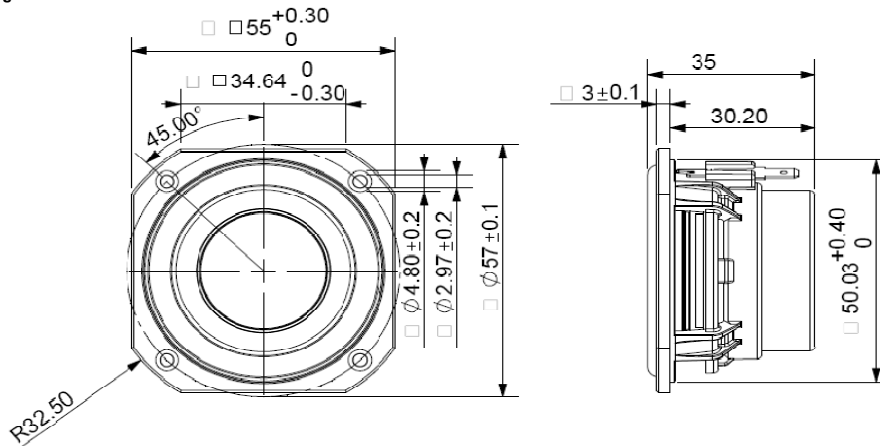


Product Description:

This 2 inch 4 ohm member of the PLS family sets a high standard, for compact full range drivers intended for applications such as television soundbars and compact music systems. Design features in this family include a damped plastic basket with venting under the spider to aid cooling of the motor, a neodymium magnet motor with copper cap to lower coil inductance, providing low distortion at low frequencies and extended high frequency response. A black anodized aluminium cone is employed on the driver, along with a black anodized aluminium dust cap coupled directly to the voice coil. Additionally, the cones come equipped with special-designed large roll rubber surrounds, which allow for a dynamic linear response to high excursion input signals.



Mechanical 2D Drawing:



Specifications:

DC Resistance	R_{evc}	Ω	3.6	5.0%	Energy Bandwidth Product	EBP	$(1/Q_{es}) \cdot f_s$	217
Minimum Impedance	Z_{min}	Ω	4.0	7.5%	Moving Mass	M_{ms}	g	1.64
Voice Coil Inductance	L_e	mH	0.03		Suspension Compliance	C_{ms}	um/N	502.3
Resonant Frequency	f_s	Hz	176	15.0%	Effective Cone Diameter	D	cm	4.4
Mechanical Q Factor	Q_{ms}	-	5.6		Effective Piston Area	S_D	cm ²	15.2
Electrical Q Factor	Q_{es}	-	0.81		Equivalent Volume	V_{as}	L	0.16
Total Q Factor	Q_{ts}	-	0.71		Motor Force Factor	BL	T·m	2.83
Ratio f_s / Q_{ts}	F	f_s / Q_{ts}	248		Motor Efficiency Factor	β	$(T \cdot m^2) / \Omega$	2.22
Half Space Sensitivity @ 2.83V	$dB @ 2.83V/1m$	dB	85.0	$\pm 1.0^1$	Voice Coil Former Material	VC_m	-	Aluminum
Sensitivity @ 1W/1m	$1W/1m$	dB	82.2	$\pm 1.0^1$	Voice Coil Inner Diameter	VC_d	mm	25.7
					Gap Height	Gh	mm	3.0
Rated Noise Power (IEC 2685 18.1)	P	W	7		Maximum Linear Excursion	X_{max}	mm	1.65
Test Spectrum Bandwidth	150Hz - 20kHz	12 dB/Oct			Ferrofluid Type	FF	N/A	
					Transducer Size	-	inch	2
					Transducer Mass	-	kg	0.14

1 - Piston Band Sensitivity Tolerance

Frequency and Impedance Response:

