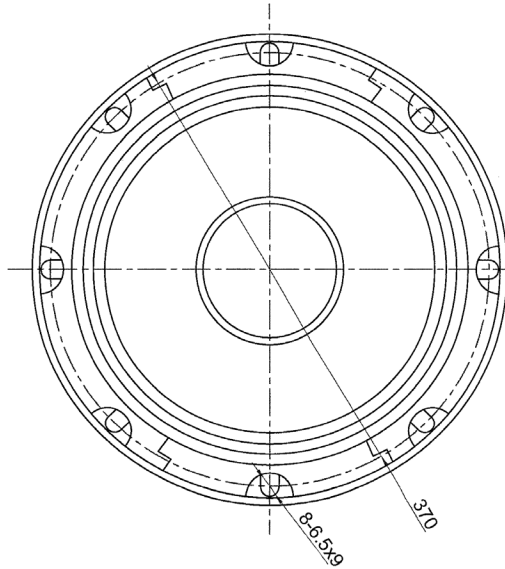
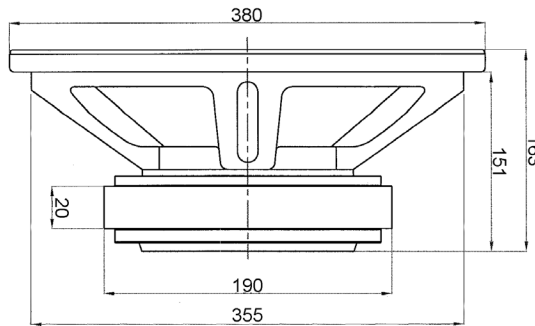


**Features**

- Low distortion motor system
- Heavy duty rolled edge frame
- 4-layer voice coil
- Vented pole piece
- Vented voice coil gap
- Carbon fiber impregnated paper cone
- Bumped back plate
- Black polyimide former

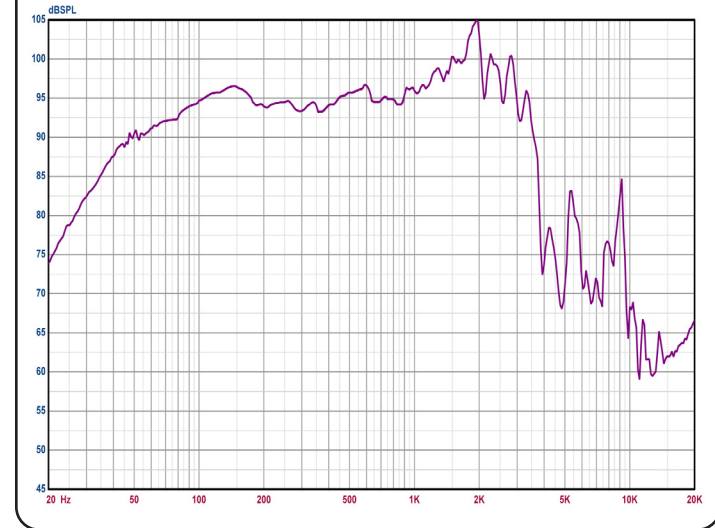
**Parameters**

Impedance ( $\Omega$ )	8
Re ( $\Omega$ )	5.8
Le (mH) @ 1 kHz	3.38
Fs (Hz)	28.3
Qms	9.99
Qes	0.23
Qts	0.24
Mms (g)	127
Cms (mm/N)	0.25
Sd (cm <sup>2</sup> )	845.0
Vd (cm <sup>3</sup> )	422.5
BL (Tm)	23.44
VAS (liters)	250.5
XMAX (mm)	5.0
VC Diameter (mm)	76
SPL (2.83V/1m)	98.5
RMS Power Handling (w)	500
Usable Frequency Range (Hz)	28-3,500



Note: All dimensions in mm.

**Frequency Response**



**Impedance/Phase**

