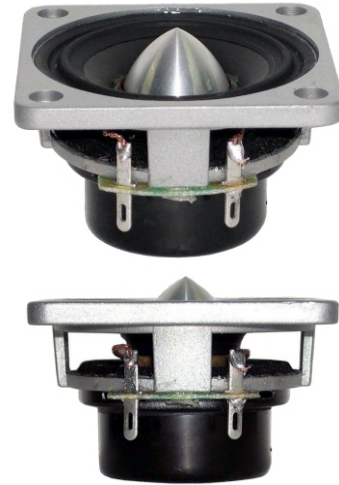
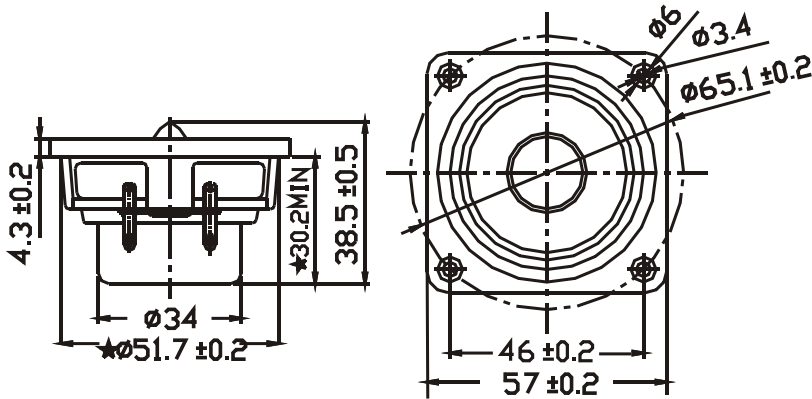


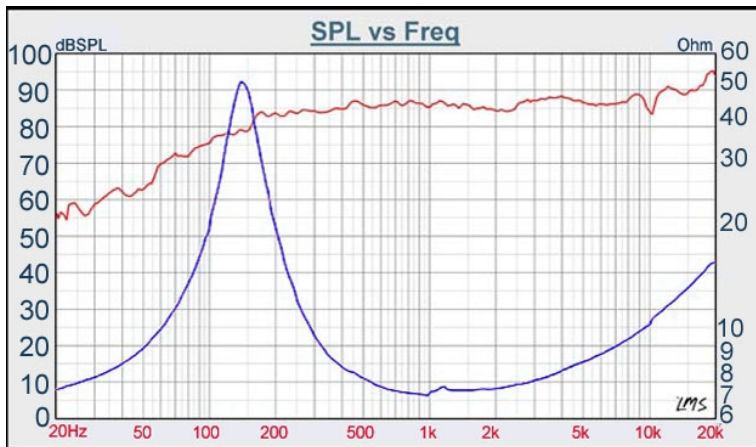
F SERIES

W2-880SA



- FULL RANGE DESIGN
- ABS BASKET, MAGNETICALLY SHIELDED
- PP CONE WITH S SHAPET PR SURROUND
- NEODYMIUM MAGNET DESIGN
- GOOD FOR CAR, HOME THEATER, MULTIMEDIA APPLICATION
- SPECIAL ALUMINUM PHASE PLUG TO PROVIDE WIDER DISPERSION AND RELEASE

2" POLYCONE FULL RANGE



DIAPHRAGM MTL	PPM
SURROUND MTL	TPR
NOMINAL IMPEDANCE	8 Ω
DCR IMPEDANCE	6 Ω
SENSITIVITY 1W/1m	85 dB
FREQUENCY RESPONSE	135-20K Hz
FREE AIR RESONANCE	135 Hz
VOICE COIL DIAMETER	20.4 mm
AIR GAP HEIGHT	3 mm
RATED POWER INPUT	10 W
MAXIMUM POWER INPUT	20 W
FORCE FACTOR, BL	3.26TM
MAGNET WEIGHT (oz)	Neodymium
MOVING MASS	0.89g
FERROFLUID ENHANCED	No
SUSPENSION COMPLIANCE	1464.0120 MN ⁻¹
EFFECTIVE PISTON AREA	0.0013M ²
Levc	0.047 mH
Zo	50.33 ohm.
X-max	1.0 mm
Vas	0.35 Litr.
Qts	0.39
Qms	3.26
Qes	0.44

TR SPEAKERS

P.O. BOX 10-53 NEI HU, TAIPEI, TAIWAN
VOICE 886.2.26570282 FAX 886.2.26580166