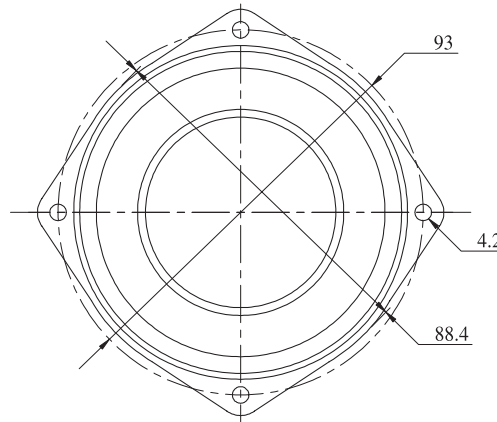
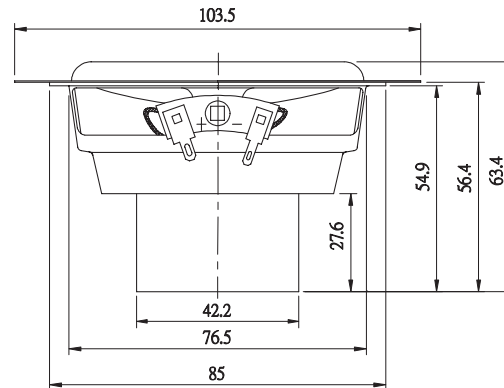


**Features**

- Low distortion Neo-Balanced motor structure
- 1" 4-layer underhung voice coil
- Black anodized aluminum cone
- X<sub>MAX</sub> 5.1 mm / 25 mm peak
- Full-range capability
- Great for line arrays

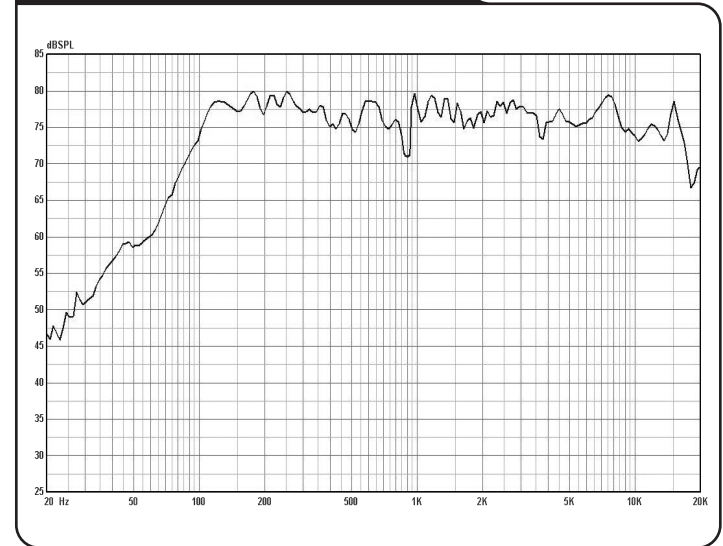
**Parameters**

Impedance (Ω)	8
Re (Ω)	7.4
Le (mH) @ 1 kHz	1.42
Fs (Hz)	69.6
Qms	3.08
Qes	0.46
Qts	0.40
Mms (g)	5.2
Cms (mm/N)	1.00
Sd (cm <sup>2</sup> )	30.4
Vd (cm <sup>3</sup> )	12.2
BL (Tm)	6.0
VAS (liters)	1.31
X <sub>MAX</sub> (mm)	5.1
VC Diameter (mm)	25
SPL (dB@1W/1m)	81.8
RMS Power Handling (w)	30
Usable Frequency Range (Hz)	70-17,000



Note: All dimensions in mm.

**Frequency Response**



**Impedance/Phase**

