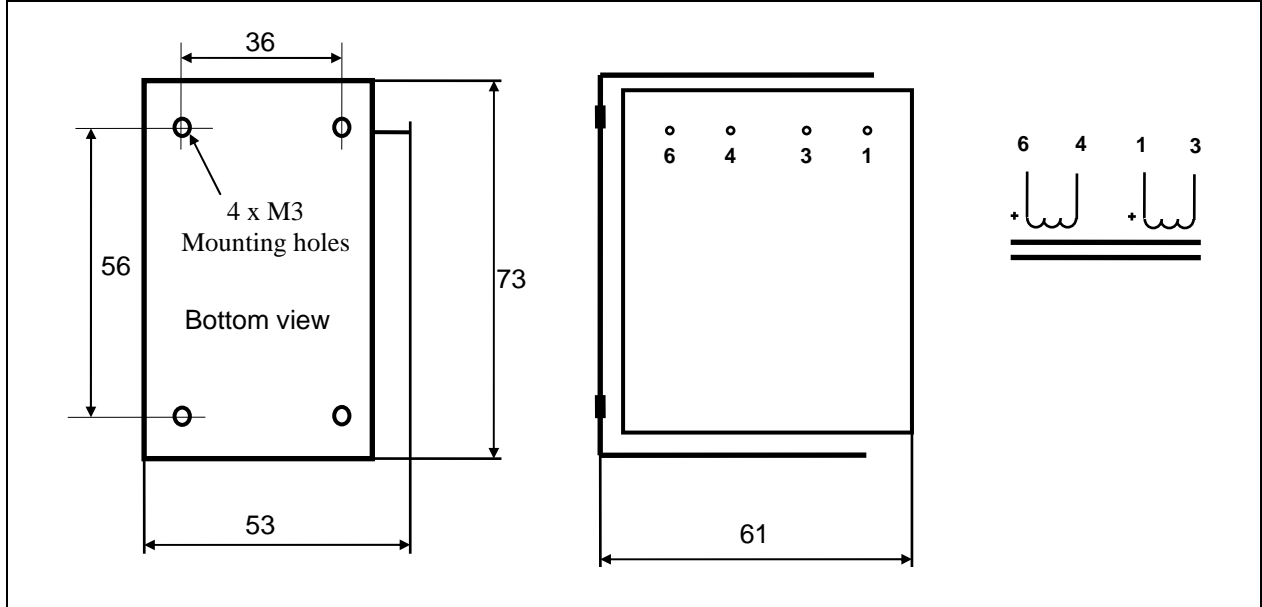


Filament Current Choke LL1694

The LL1694 is a 2 coils choke for tube/valve filament current filtering.
The coil is wound using our standard high internal isolation technique with isolation foil between each copper layer. The core is an audio C-core of our own production.

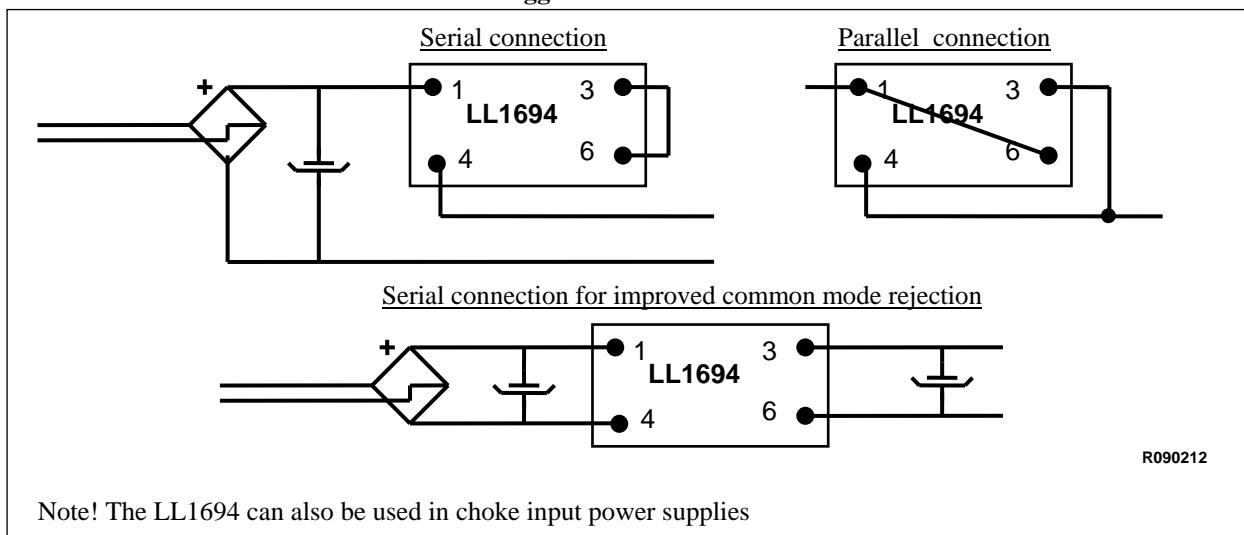
Winding schematics, physical dimensions, pin and mounting hole layout (all dimensions in mm)



Weight: 0.83 kg
Static resistance of each winding: 0.9 Ω
Isolation between windings / between windings and core: 4 kV / 2 kV

Type	Coils in series			Coils in parallel		
	Approx. Inductance	Recommended DC current (1.25 T)	Saturating current (2.0 T)	Approx. Inductance	Recommended DC current (1.25 T)	Saturating current (2.0 T)
LL1694 / 1.5A	0.16 H	1.5 A	2.4 A	0.04 H	3 A	4.8 A
Max. ripple voltage at rec. DC current (Ripple voltage is approx. 0.42 x input voltage)	50 V rms / 100 Hz			25 V rms / 100 Hz		

Suggested connections:



R090212

Note! The LL1694 can also be used in choke input power supplies