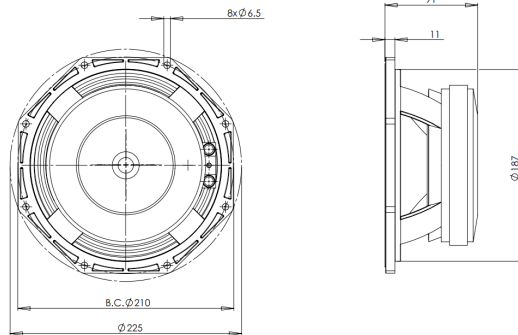
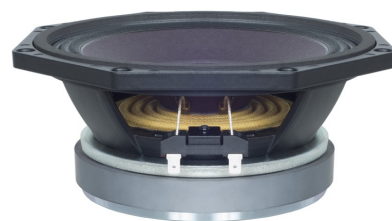


# 8PE21

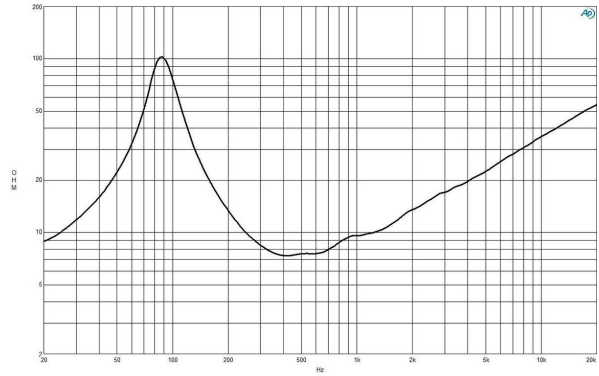
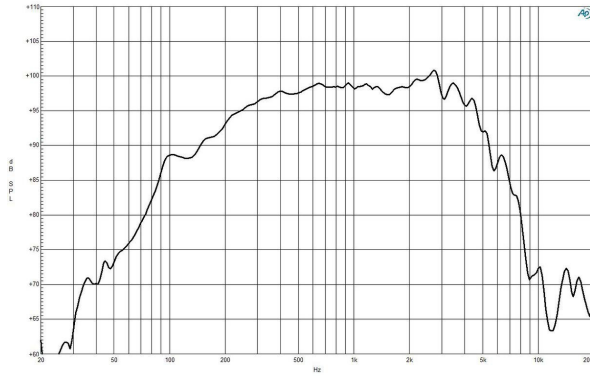
**8Ω****LF Drivers - 8.0 Inches**

- 400 W continuous program power capacity
- 51 mm (2 in) copper voice coil
- 90 - 5000 Hz response
- 98 dB sensitivity



# 8PE21

## LF Drivers- 8.0 Inches



### SPECIFICATIONS

Nominal Diameter	200 mm (8.0 in)
Nominal Impedance	8 $\Omega$
Minimum Impedance	7.2 $\Omega$
Nominal Power Handling <sup>1</sup>	200 W
Continuous Power Handling <sup>2</sup>	400 W
Sensitivity <sup>3</sup>	98.0 dB
Frequency Range	90 - 5000 Hz
Voice Coil Diameter	51 mm (2.0 in)
Winding Material	Copper
Former Material	Kapton
Winding Depth	9.0 mm (0.37 in)
Magnetic Gap Depth	8.0 mm (0.31 in)
Flux Density	1.25 T

### DESIGN

Surround Shape	Triple Roll
Cone Shape	Radial
Magnet Material	Ferrite
Spider	Single
Pole Design	Straight Pole
Woofer Cone Treatment	None

### PARAMETERS<sup>4</sup>

Resonance Frequency	87 Hz
Re	5.6 $\Omega$
Qes	0.2
Qms	3.8
Qts	0.19
Vas	13.0 dm <sup>3</sup> (0.46 ft <sup>3</sup> )
Sd	220.0 cm <sup>2</sup> (34.1 in <sup>2</sup> )
$\eta_0$	4.1 %
Xmax	$\pm$ 2.5 mm
Xvar	$\pm$ 4.5 mm
Mms	18.0 g
Bl	16.6 Txm
Le	0.5 mH
EBP	435 Hz

### MOUNTING AND SHIPPING INFO

Overall Diameter	225 mm (8.86 in)
Bolt Circle Diameter	210 mm (8.27 in)
Baffle Cutout Diameter	187.0 mm (7.36 in)
Depth	91 mm (3.58 in)
Flange and Gasket Thickness	11 mm (0.43 in)
Air Volume Occupied by Horn	1.2 dm <sup>3</sup> (0.04 ft <sup>3</sup> )
Net Weight	4.2 kg (9.26 lb)
Shipping Units	1
Shipping Weight	4.65 kg (10.25 lb)
Shipping Box	255x255x150 mm (10.04x10.04x5.91 in)

### SERVICE KIT

Recone kit	RCK008PE218
------------	-------------

- 2 hours test made with continuous pink noise signal within the range Fs-10Fs. Power calculated on rated minimum impedance. Loudspeaker in free air.
- Power on Continuous Program is defined as 3 dB greater than the Nominal rating.
- Applied RMS Voltage is set to 2.83 V for 8 ohms Nominal Impedance.
- Thiele-Small parameters are measured after a high level 20 Hz sine wave preconditioning test.