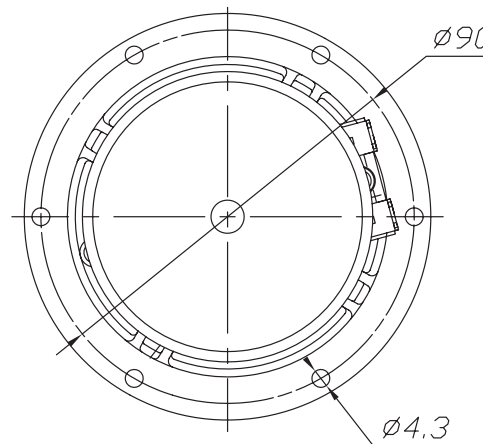
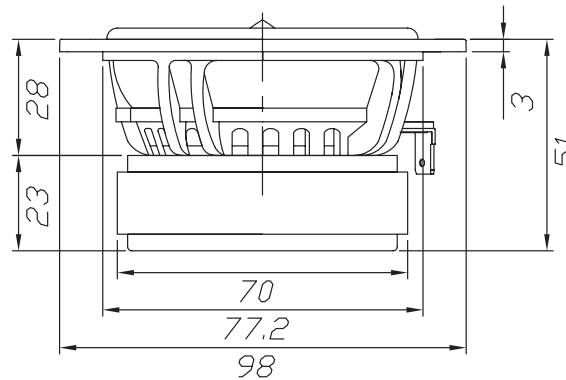


**Features**

- Lightweight black anodized aluminum cone
- Attractive 6-hole cast frame
- Advanced low distortion motor design
- Solid aluminum phase plug
- Rubber surround
- Full-range capability

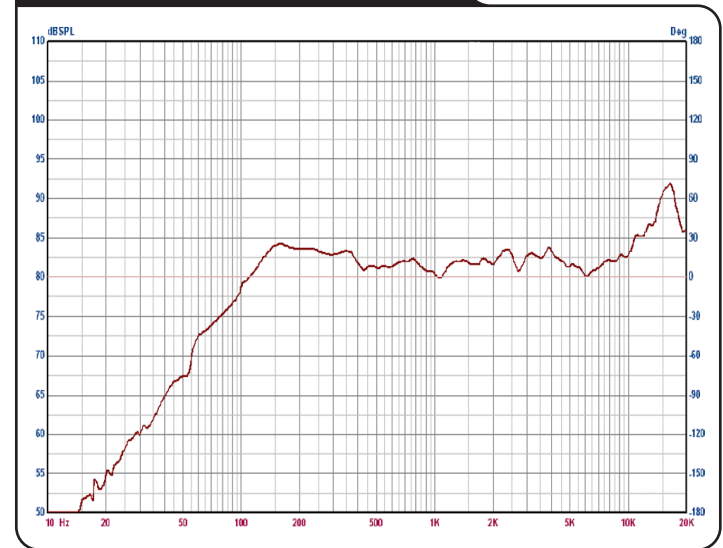
**Parameters**

Impedance ( $\Omega$ )	8
Re ( $\Omega$ )	6.05
Le (mH) @ 1 kHz	0.48
Fs (Hz)	87.5
Qms	2.52
Qes	0.71
Qts	0.55
Mms (g)	2.6
Cms (mm/N)	1.27
Sd (cm <sup>2</sup> )	37.4
Vd (cm <sup>3</sup> )	13.1
BL (Tm)	3.5
VAS (liters)	2.5
XMAX (mm)	3.5
VC Diameter (mm)	25.9
SPL (dB@1W/1m)	85.6
RMS Power Handling (w)	30
Usable Frequency Range (Hz)	87 - 20,000



Note: All dimensions in mm.

**Frequency Response**



**Impedance/Phase**

