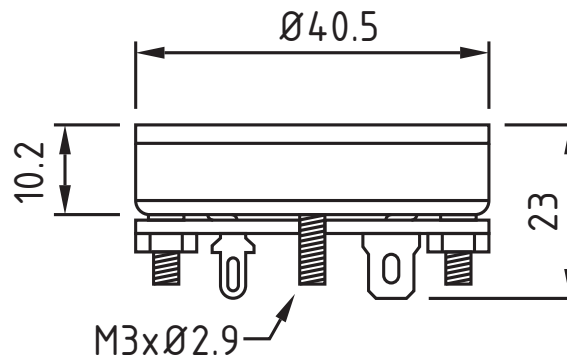
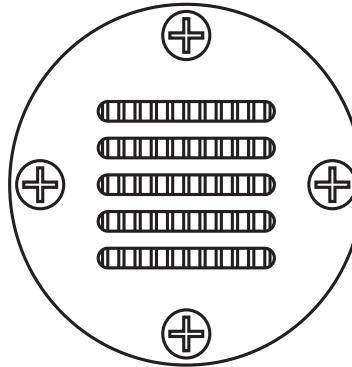
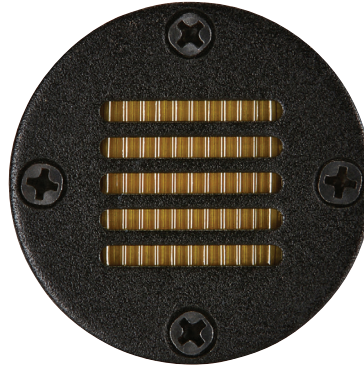


### Features

- Innovative Air Motion Transformer (AMT) technology
- Low-mass pleated Kapton diaphragm
- Highly detailed and dynamic output
- Very low distortion
- Ultra-compact round form factor
- Powerful Neodymium magnets

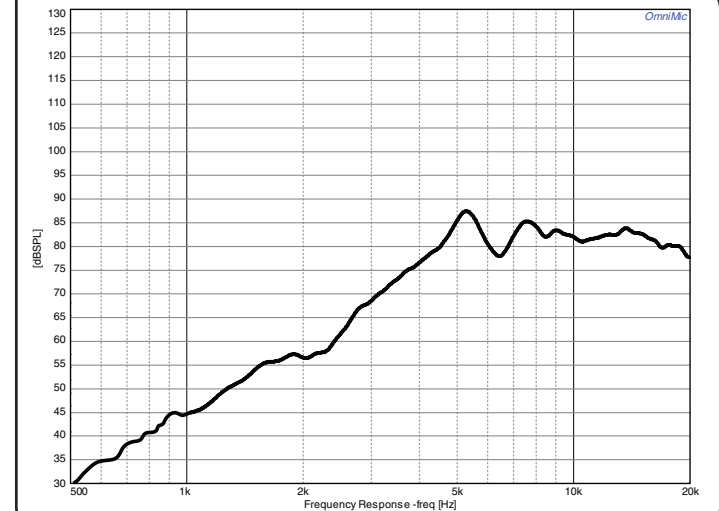
### Parameters

Impedance ( $\Omega$ )	8
Re ( $\Omega$ )	7.19
Le (mH) @ 10 kHz	0.0
Fs (Hz)	3,500
Qms	—
Qes	—
Qts	2.8
Mms (g)	—
Cms (mm/N)	—
Sd (cm <sup>2</sup> )	3.8
Vd (cm <sup>3</sup> )	—
BL (Tm)	—
VAS (liters)	—
XMAX (mm)	—
VC Diameter (mm)	—
SPL (dB@1W/1m)	88.0
RMS Power Handling (w)	15
Usable Frequency Range (Hz)	3,500 - 40,000



Note: All dimensions in mm.

### Frequency Response



### Impedance/Phase

