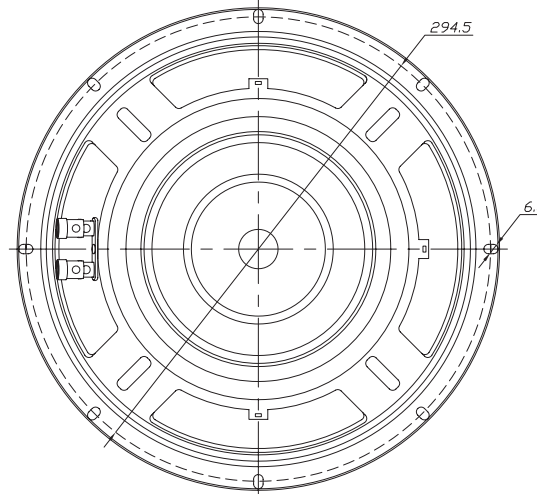
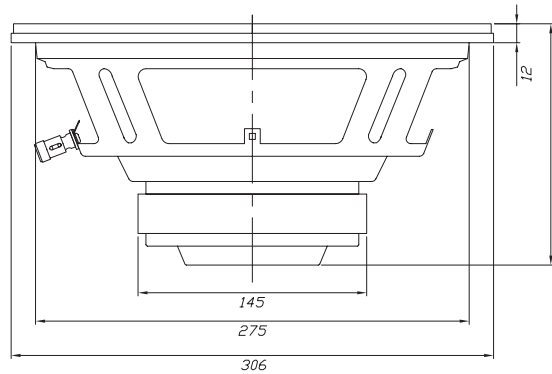


Features

- Kevlar reinforced cone
- High-temperature 4-layer voice coil
- Copper pole piece cap for lower distortion
- Vented pole piece and bump back plate for improved excursion
- Great for home or car audio applications
- 5 year warranty

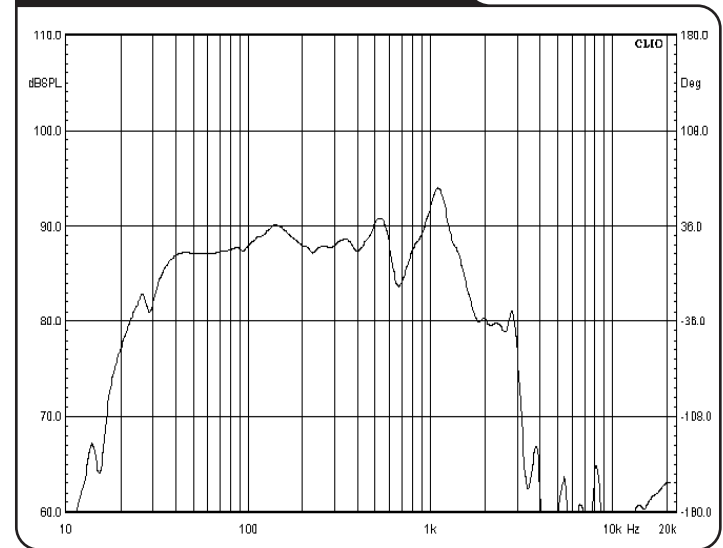
Parameters

Impedance (Ω)	4
Re (Ω)	3.2
Le (mH) @ 1 kHz	1.94
Fs (Hz)	22.9
Qms	5.59
Qes	0.44
Qts	0.41
Mms (g)	145.0
Cms (mm/N)	0.33
Sd (cm ²)	498.8
Vd (cm ³)	468.8
BL (Tm)	12.31
VAS (liters)	116.6
XMAX (mm)	9.3
VC Diameter (mm)	65.5
SPL (dB@1W/1m)	89.4
RMS Power Handling (w)	250
Usable Frequency Range (Hz)	23 - 200



Note: All dimensions in mm.

Frequency Response



Impedance/Phase

