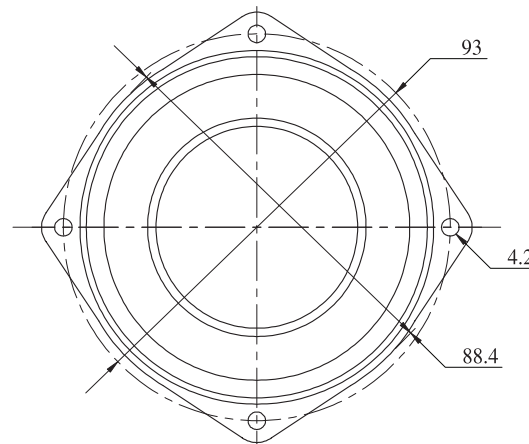
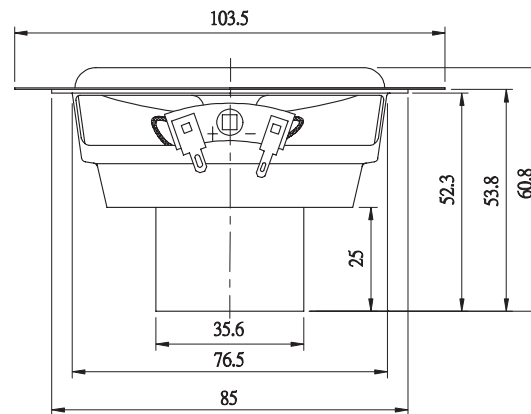


Features

- Low distortion Neo-Sym motor structure
- 4-Layer underhung voice coil
- Black anodized aluminum cone
- X_{MAX} 4 mm / 20 mm peak
- Full-range capability
- Great for line arrays

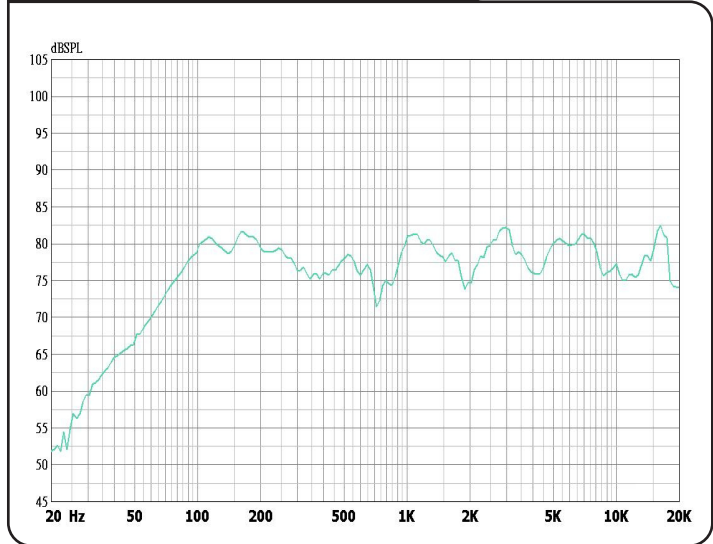
Parameters

Impedance (Ω)	8
Re (Ω)	7.5
Le (mH) @ 1 kHz	0.54
Fs (Hz)	80.0
Qms	4.25
Qes	0.85
Qts	0.71
Mms (g)	4.7
Cms (mm/N)	0.79
Sd (cm ²)	31.2
Vd (cm ³)	12.5
BL (Tm)	4.4
VAS (liters)	1.36
X _{MAX} (mm)	4
VC Diameter (mm)	19
SPL (dB@1W/1m)	82.1
RMS Power Handling (w)	20
Usable Frequency Range (Hz)	80 - 15,000



Note: All dimensions in mm.

Frequency Response



Impedance/Phase

