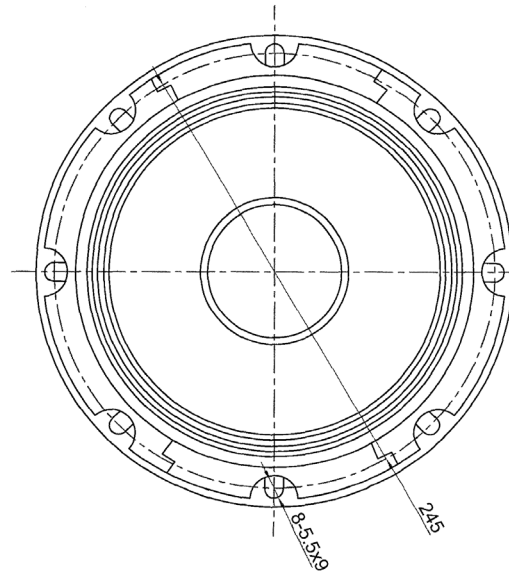
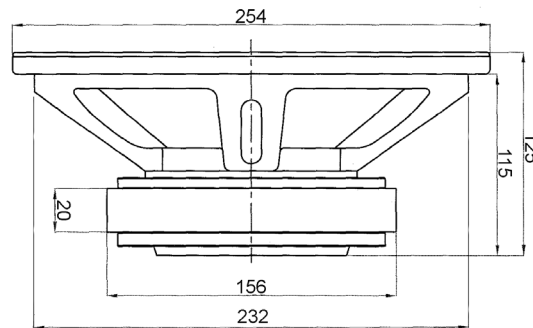


PA255-8**10" Pro Woofer****PA255-8****Features**

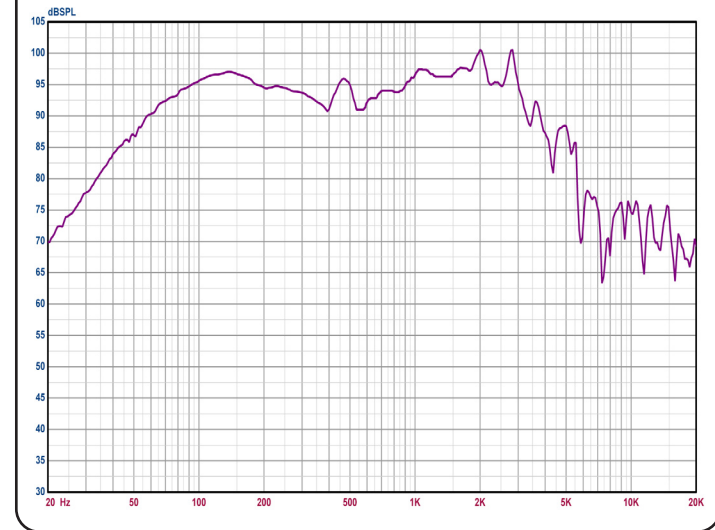
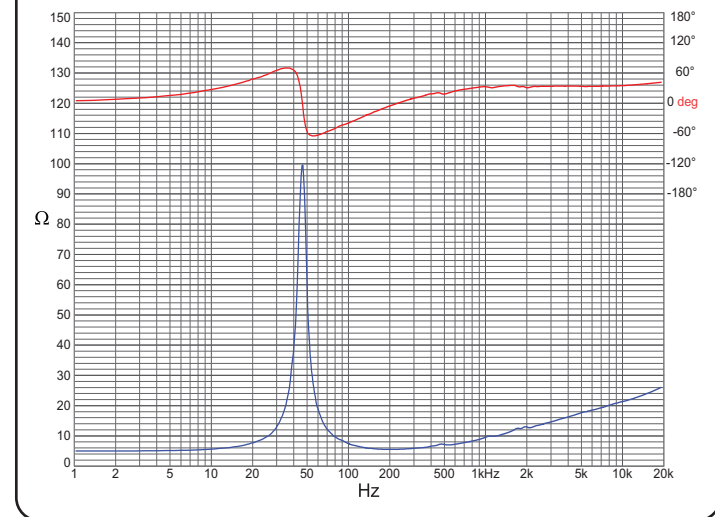
- Low distortion motor system
- Heavy duty rolled edge frame
- Vented pole piece
- Vented voice coil gap
- Carbon fiber impregnated paper cone
- Bumped back plate
- Black polyimide former

Parameters

Impedance (Ω)	8
Re (Ω)	5.0
Le (mH) @ 1 kHz	1.33
Fs (Hz)	46.4
Qms	9.56
Qes	0.51
Qts	0.48
Mms (g)	33.6
Cms (mm/N)	0.35
Sd (cm ²)	346.4
Vd (cm ³)	173.2
BL (Tm)	9.8
VAS (liters)	59.0
XMAX (mm)	5.0
VC Diameter (mm)	51
SPL (2.83V/1m)	94.7
RMS Power Handling (w)	300
Usable Frequency Range (Hz)	46-3,500



Note: All dimensions in mm.

Frequency Response**Impedance/Phase****10" Pro Woofer**