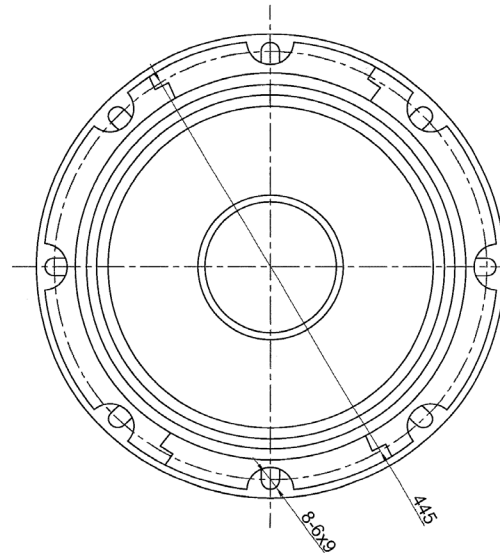
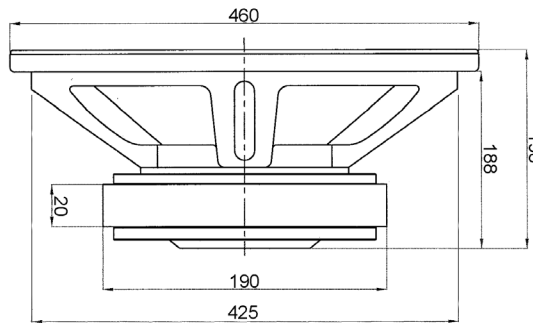


Features

- Low distortion motor system
- Heavy duty rolled edge frame
- 4-layer voice coil
- Vented pole piece
- Vented voice coil gap
- Carbon fiber impregnated paper cone
- Black polyimide former
- Long throw design

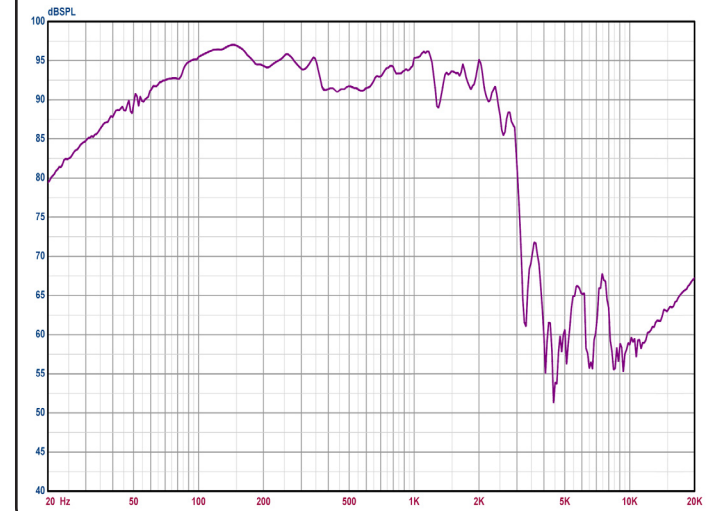
Parameters

Impedance (Ω)	8
Re (Ω)	5.3
Le (mH) @ 1 kHz	3.31
Fs (Hz)	26.2
Qms	6.90
Qes	0.28
Qts	0.27
Mms (g)	168.9
Cms (mm/N)	0.22
Sd (cm ²)	1,244.1
Vd (cm ³)	746.5
BL (Tm)	23.1
VAS (liters)	473.5
XMAX (mm)	6.0
VC Diameter (mm)	76
SPL (2.83V/1m)	98.5
RMS Power Handling (w)	500
Usable Frequency Range (Hz)	26-2,000



Note: All dimensions in mm.

Frequency Response



Impedance/Phase

