

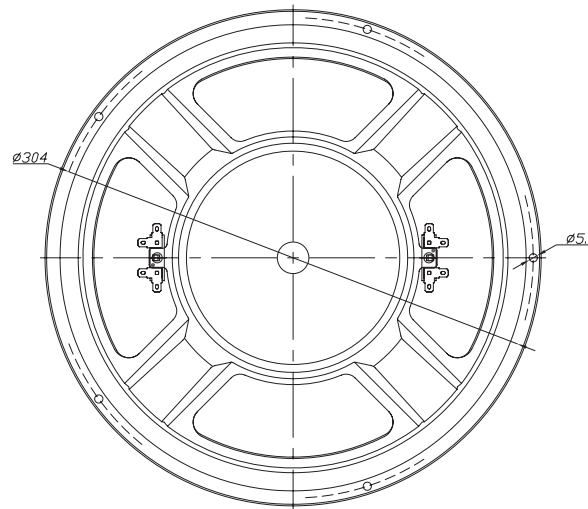
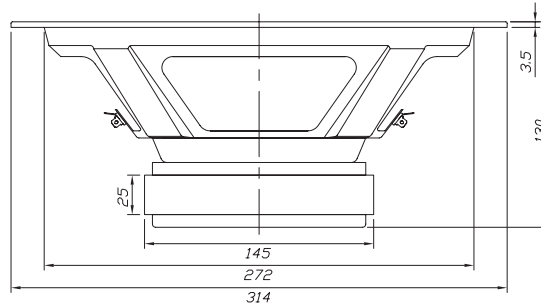
Features

- 12" heavy duty paper cone
- Durable rubber surround
- Dual 8 ohm voice coils
- High power motor structure
- Long-throw design
- Well suited for both sealed and vented designs

Parameters

Impedance (Ω)	4
Re (Ω)	3.1
Le (mH) @ 1 kHz	1.50
Fs (Hz)	24.2
Qms	3.54
Qes	0.37
Qts	0.33
Mms (g)	109.2
Cms (mm/N)	0.40
Sd (cm ²)	522.8
Vd (cm ³)	366.0
BL (Tm)	11.86
VAS (liters)	151.7
XMAX (mm)	7.0
VC Diameter (mm)	49.5
SPL (dB@1W/1m)	89.6
RMS Power Handling (w)	120
Usable Frequency Range (Hz)	24 - 2,000

Note: All specifications are with voice coils connected in parallel.



Note: All dimensions in mm.

Frequency Response



Impedance/Phase

