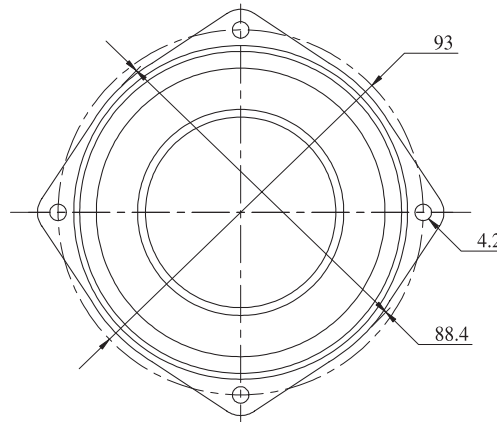
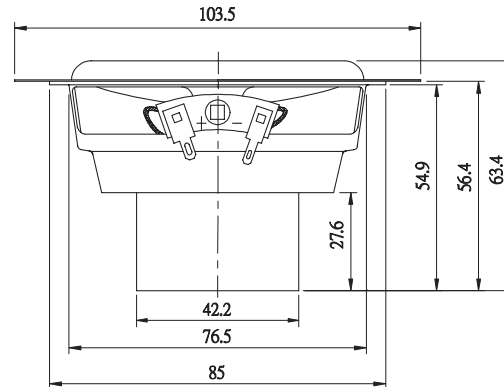


Features

- Low distortion Neo-Balanced motor structure
- 1" 4-layer underhung voice coil
- Black anodized aluminum cone
- X_{MAX} 4.6 mm / 25 mm peak
- Full-range capability
- Great for line arrays

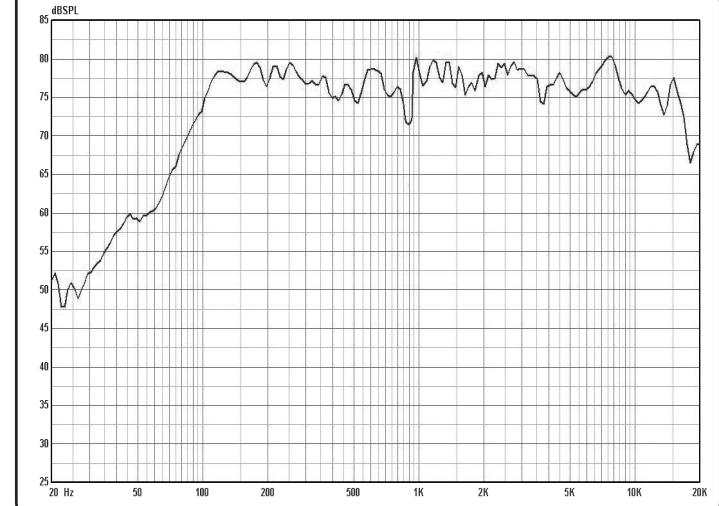
Parameters

Impedance (Ω)	4
Re (Ω)	4.1
Le (mH) @ 1 kHz	0.74
Fs (Hz)	63.4
Qms	3.06
Qes	0.44
Qts	0.38
Mms (g)	5.6
Cms (mm/N)	1.13
Sd (cm ²)	30.4
Vd (cm ³)	12.2
BL (Tm)	4.6
VAS (liters)	1.47
X _{MAX} (mm)	4.6
VC Diameter (mm)	25
SPL (dB@1W/1m)	81.3
RMS Power Handling (w)	30
Usable Frequency Range (Hz)	65-17,000



Note: All dimensions in mm.

Frequency Response



Impedance/Phase

