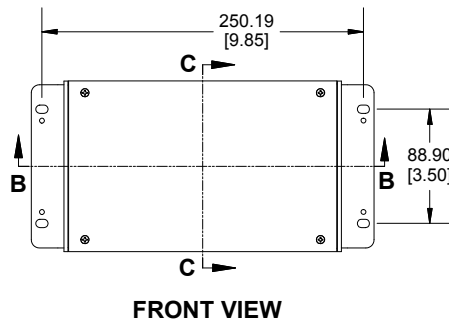
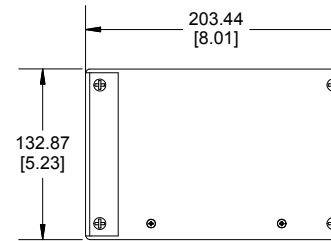


**SECTION C-C  
INSIDE SIDE VIEW**



**FRONT VIEW**

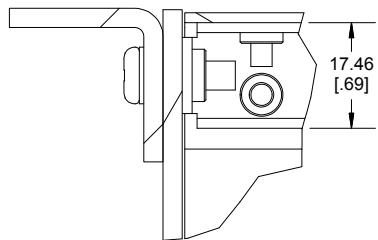


**SIDE VIEW**

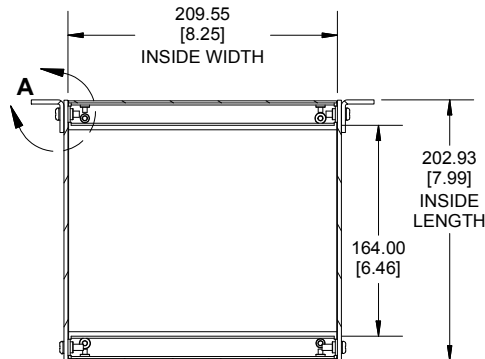
Enclosures can be Factory Modified ( Milling, Drilling, Printing etc.)  
 Contact Factory [mjm@hammondmfg.com](mailto:mjm@hammondmfg.com) for quotes  
 Solid models of this enclosure available in STEP or IGES.  
 (Part number and text placement/orientation on our products are subject to change,  
 we do not recommend using them as a locating reference for modification purposes)

**NOTE**  
 Purchased assembly includes: 2 front/rear panels, 2 top/bottom panels, 2 side panels, 2 mounting tabs, 4 inner brackets, 24 screws and 4 rubber feet.  
 Product is not assembled for shipping purposes.  
**Recommended Cover screw torque -- 8.9-9.4 lbf-in (100-110 cN-m)**

RMCS	
RMCS9058 Regular Enclosure	
Economy Rack Chassis Black	RMCS9058BK1
Economy Rack Vented Chassis Black	RMCV9058BK1
ACCESSORIES	
Inner Panel	RMP908
Inner Panel screws Black (#6-32 1/2) (50 pkg)	SC536BK-50
Replacement Hardware Kit: #10-32 X 5/8" Pan head black, qty 8 #6-32 X 3/8" Flat head black, qty 16 20.5 X 20.5 X 7.6 Rubber Bumpon, qty 4	
	RMCHDWKIT



**DETAIL A**



**SECTION B-B  
INSIDE BOTTOM VIEW**

**Dimensions:**  
 mm  
 [inches]

**HAMMOND  
MANUFACTURING**

**RMCS9058**

[www.hammondmfg.com](http://www.hammondmfg.com)