

LOWS: Warm
MIDS: Detailed
HIGHS: Open
OVERDRIVE: Crunchy

Sound Features:

Guitarist Description:

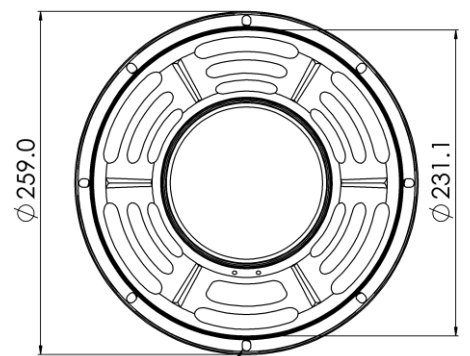
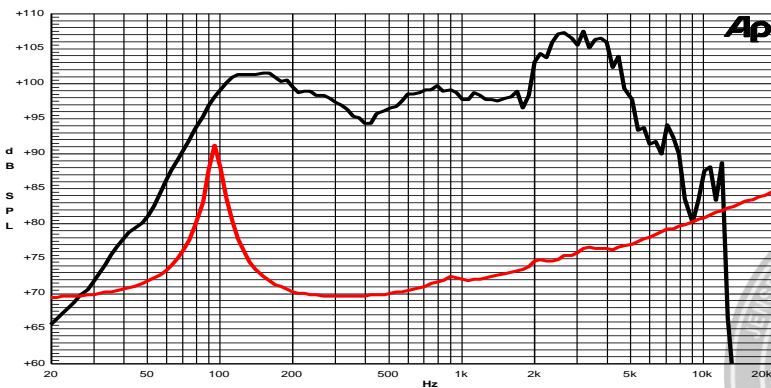
Directly inspired from the Blackbird 10/40 tone, the Silverbird 10/50 is a superbly balanced speaker. Powerful bass range, tight enough for the higher gain applications, yet warm and full. Highly versatile, it fits nicely in a wide range of musical genres with its open and detailed vintage inspired tone.



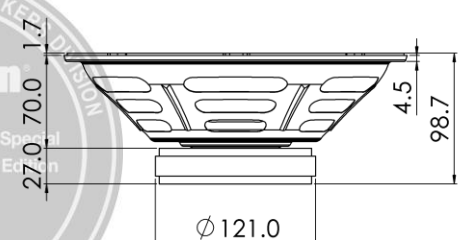
| Specifications | |
|---|--------------|
| Nominal Diameter | 259 mm (10") |
| Nominal Impedance | 8 Ω |
| Rated Power AES ⁽¹⁾ | 50 W |
| Continuous Program Power ⁽²⁾ | 100 W |
| Sensitivity @ 1W/1m | 96.5 dB |
| Voice Coil Diameter | 38 mm |
| Voice Coil Winding Depth | 10 mm |
| Magnetic Gap Depth | 6 mm |
| Flux Density | 1.20 T |
| Magnet Weight | 640 g |
| Net Weight | 2.2 kg |

| Thiele & Small Parameters ⁽³⁾ | | | |
|--|----------|-----------|-----------------------|
| Re | 6.00 Ω | Fs | 94.0 Hz |
| Qms | 11.88 | Mms | 17.9 g |
| Qts | 0.90 | Bxl | 8.10 Tm |
| Cms | 159 μm/N | Sd | 330.1 cm ² |
| Vas | 24.6 l | Le (1kHz) | 0.48 mH |

| Constructive Characteristics | |
|------------------------------|---------------------|
| Magnet | Ferrite |
| Basket Material | Pressed Sheet Steel |
| Voice Coil Winding Material | Aluminium |
| Voice Coil Former Material | Kapton |
| Cone Material | Paper |
| Surround Treatment | Yes |
| Surround Material | Paper - Integrated |
| Dust Dome Material | Non Treated Cloth |



8 holes 8.4x6.5
on Ø245mm



- Note:
- 1: Rated Power measured with 2 hours test with pink noise signal, 6dB crest factor, loudspeaker mounted on enclosure
 - 2: Power on Continuous Program is defined as 3 dB greater than the Rated Power
 - 3: Thiele & Small parameters measured with laser system without preconditioning test
 - 4: Drawing dimensions: mm
 - 5: The notch around 400Hz on the frequency response is typical of the measurement on IEC baffle