

DA135-8

5-1/4" Aluminum Cone Woofer



DA135-8

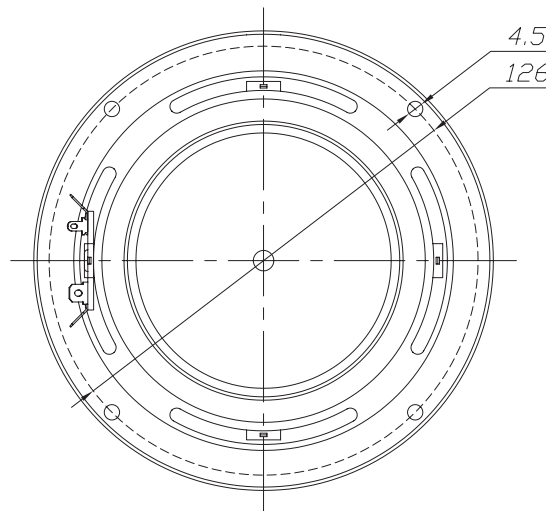
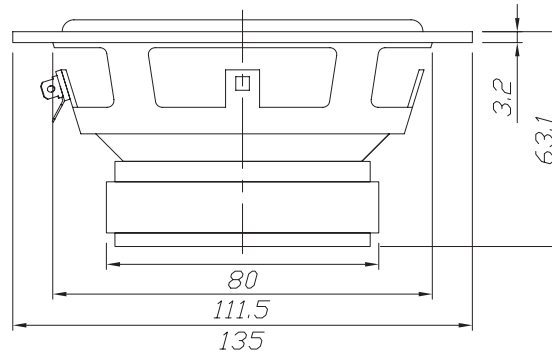
5-1/4" Aluminum Cone Woofer

Features

- 5-1/4" one-piece aluminum cone
- Rubber surround
- Attractive steel frame
- High-damping composite dustcap
- Low distortion
- Flat frequency response

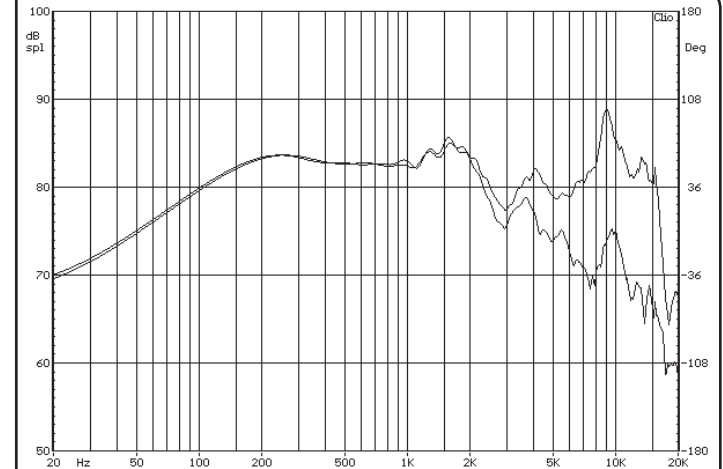
Parameters

Impedance (Ω)	8
Re (Ω)	6.4
Le (mH) @ 1 kHz	0.97
Fs (Hz)	56.5
Qms	2.61
Qes	0.68
Qts	0.54
Mms (g)	8.54
Cms (mm/N)	0.93
Sd (cm ²)	75.4
Vd (cm ³)	22.6
BL (Tm)	5.32
VAS (liters)	7.4
XMAX (mm)	3
VC Diameter (mm)	25
SPL (dB@1W/1m)	85.0
RMS Power Handling (w)	30
Usable Frequency Range (Hz)	50 - 15,000



Note: All dimensions in mm.

Frequency Response



Note: Due to testing limitations, response below 200 Hz is not an actual representation.

Impedance/Phase

