

DA175-8

# 7" Aluminum Cone Woofer



DA175-8

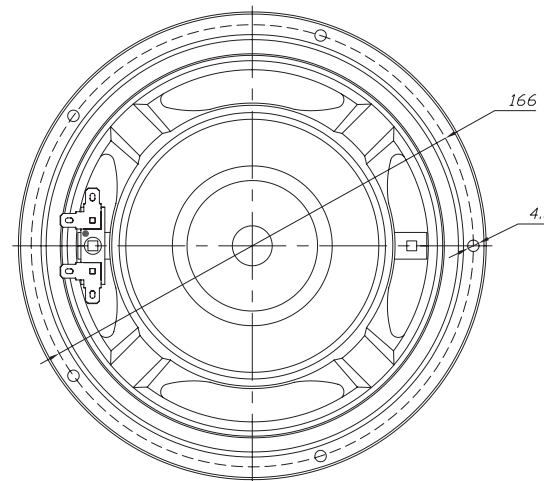
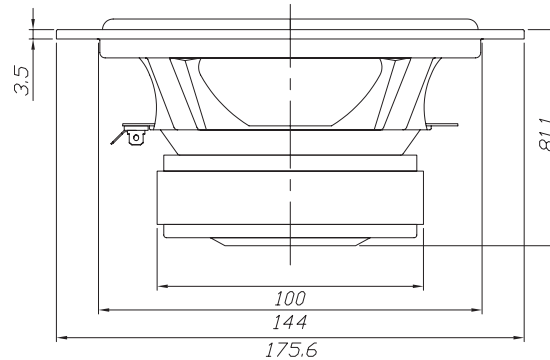
7" Aluminum Cone Woofer

### Features

- 7" one-piece aluminum cone
- Rubber surround
- Attractive steel frame
- Extended back plate
- Vented pole piece
- Broad frequency range

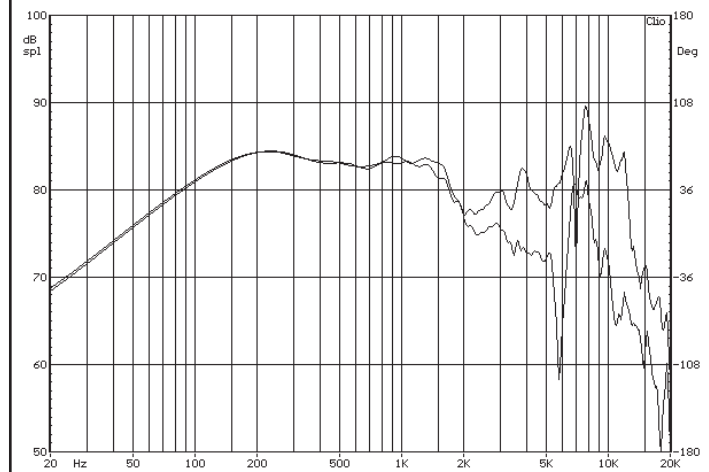
### Parameters

Impedance ( $\Omega$ )	8
Re ( $\Omega$ )	5.9
Le (mH) @ 1 kHz	1.14
Fs (Hz)	39.0
Qms	3.31
Qes	0.70
Qts	0.58
Mms (g)	25.17
Cms (mm/N)	0.66
Sd (cm <sup>2</sup> )	132.7
Vd (cm <sup>3</sup> )	56.4
BL (Tm)	7.17
VAS (liters)	16.3
XMAX (mm)	4.25
VC Diameter (mm)	35
SPL (dB@1W/1m)	85.0
RMS Power Handling (w)	50
Usable Frequency Range (Hz)	35 - 10,000



Note: All dimensions in mm.

### Frequency Response



Note: Due to testing limitations, response below 200 Hz is not an actual representation.

### Impedance/Phase

