

ND105-8

4" Aluminum Cone Midbass Driver

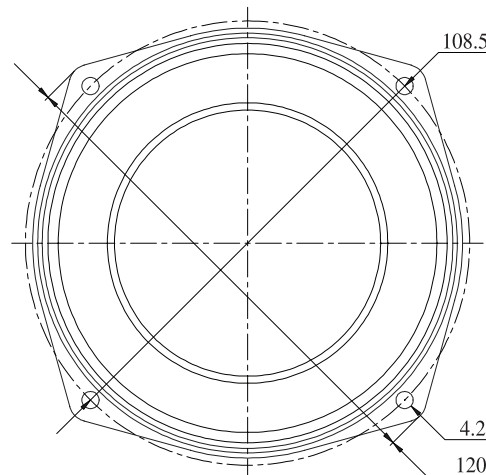
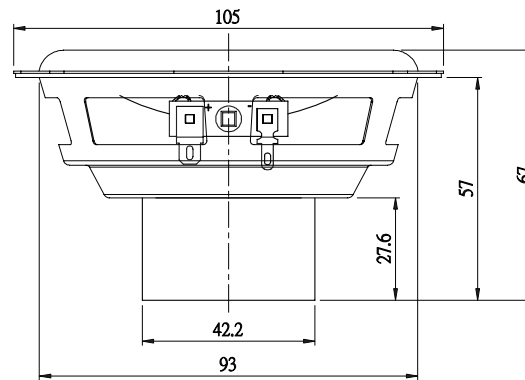


Features

- Low distortion Neo-Sym motor structure
- 4-Layer underhung voice coil
- Black anodized aluminum cone
- Low loss rubber surround
- X_{MAX} 4 mm / 20 mm peak
- Extended frequency range

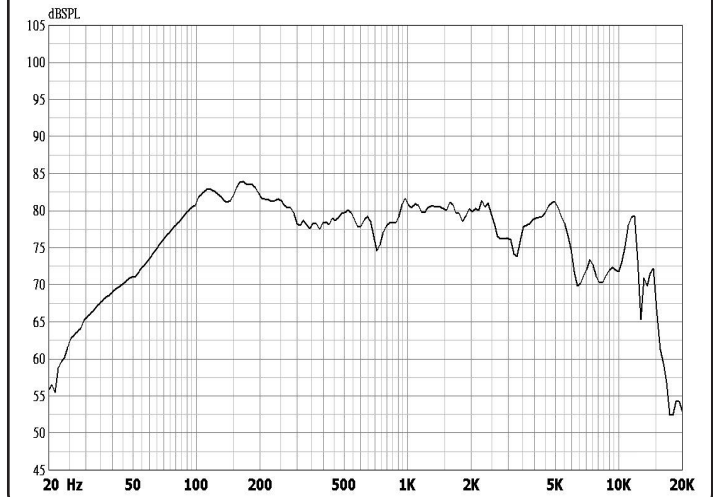
Parameters

Impedance (Ω)	8
Re (Ω)	7.6
Le (mH) @ 1 kHz	1.37
Fs (Hz)	65.3
Qms	7.61
Qes	0.73
Qts	0.66
Mms (g)	6.3
Cms (mm/N)	0.95
Sd (cm ²)	51.5
Vd (cm ³)	20.6
BL (Tm)	4.9
VAS (liters)	3.5
X _{MAX} (mm)	4
VC Diameter (mm)	25
SPL (dB@1W/1m)	83.2
RMS Power Handling (w)	30
Usable Frequency Range (Hz)	60 - 10,000



Note: All dimensions in mm.

Frequency Response



Impedance/Phase

