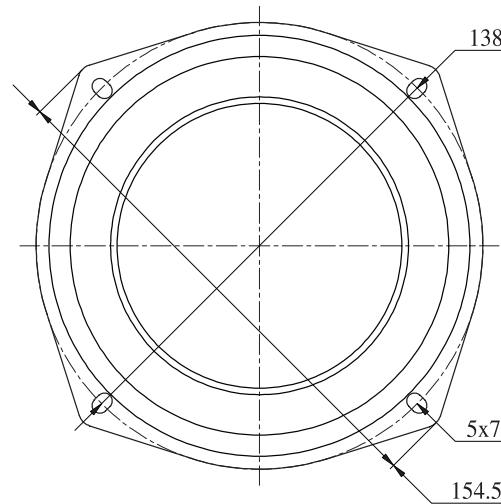
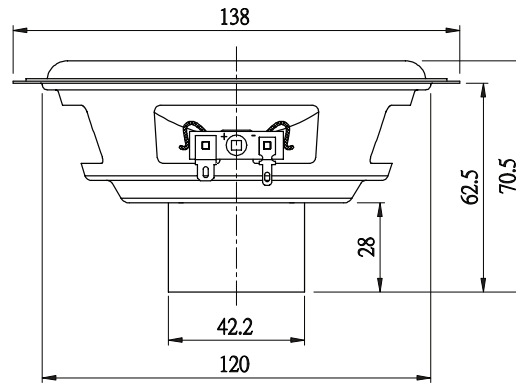


Features

- Low distortion Neo-Sym motor structure
- 4-Layer underhung voice coil
- Black anodized aluminum cone
- Low loss rubber surround
- X_{MAX} 4 mm / 20 mm peak
- Extended frequency range

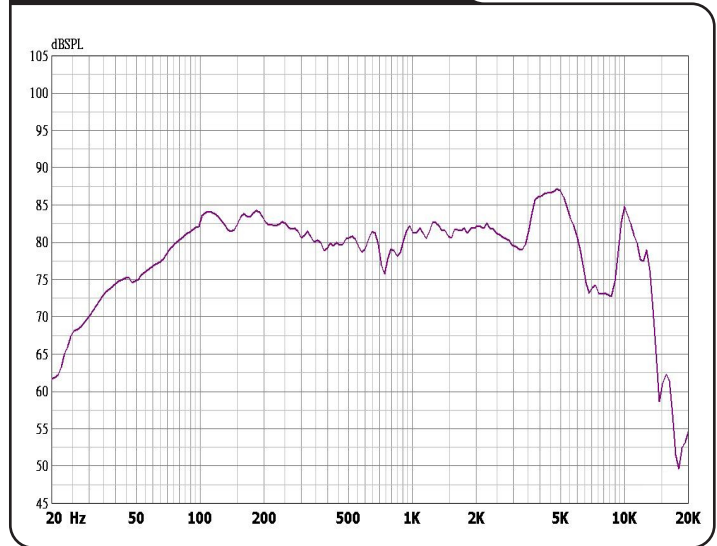
Parameters

Impedance (Ω)	8
Re (Ω)	6.9
Le (mH) @ 1 kHz	1.45
Fs (Hz)	53.8
Qms	5.55
Qes	0.68
Qts	0.61
Mms (g)	8.9
Cms (mm/N)	0.99
Sd (cm ²)	86.6
Vd (cm ³)	34.6
BL (Tm)	5.5
VAS (liters)	10.3
X _{MAX} (mm)	4
VC Diameter (mm)	25
SPL (dB@1W/1m)	85.7
RMS Power Handling (w)	40
Usable Frequency Range (Hz)	54 - 8,000



Note: All dimensions in mm.

Frequency Response



Impedance/Phase

