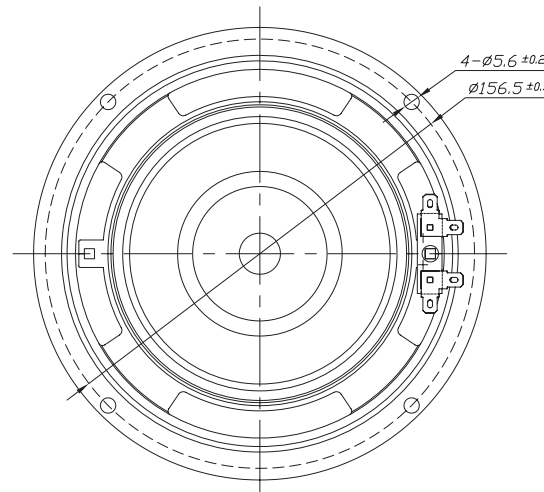
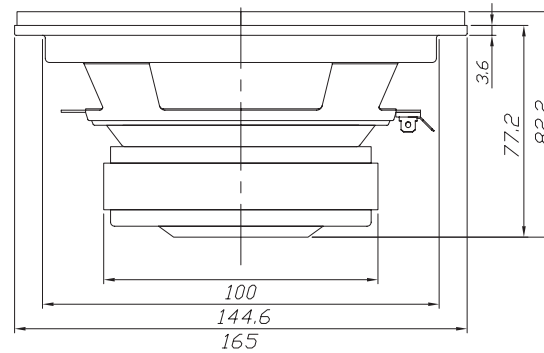


DC160-4**6-1/2" Classic Woofer 4 Ohm****DC160-4****6-1/2" Classic Woofer 4 Ohm****Features**

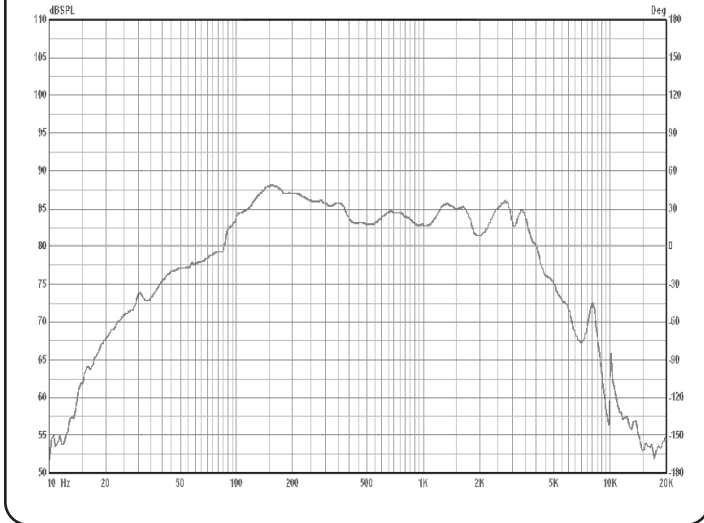
- 6-1/2" polymer laminate non-pressed paper cone
- Rubber surround
- Vented pole piece
- Extended bump plate
- High temperature aluminum voice coil
- 4-ohm impedance

Parameters

Impedance (Ω)	4
Re (Ω)	3.6
Le (mH) @ 1 kHz	1.03
Fs (Hz)	30.3
Qms	2.91
Qes	0.37
Qts	0.33
Mms (g)	21.6
Cms (mm/N)	1.28
Sd (cm ²)	136.8
Vd (cm ³)	46.5
BL (Tm)	6.31
VAS (liters)	33.7
XMAX (mm)	3.4
VC Diameter (mm)	35.5
SPL (dB@1W/1m)	85.9
RMS Power Handling (w)	60
Usable Frequency Range (Hz)	30 - 4,000



Note: All dimensions in mm.

Frequency Response**Impedance/Phase**