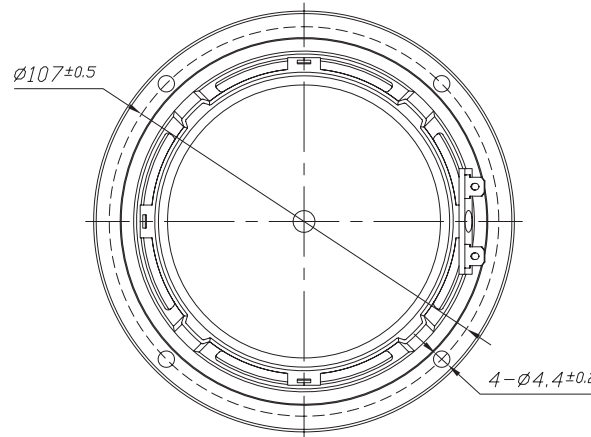
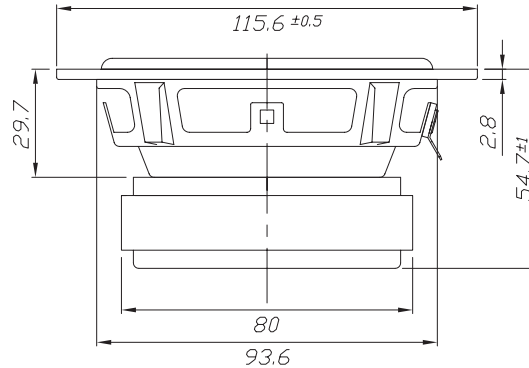


Features

- Rigid poly coated paper cone with rubber surround
- 1" 2-layer copper voice coil on aluminum former
- Linear Conex spider and strong ferrite motor for controlled motion
- Vented pole piece to reduce compression and increase heat dissipation
- Cosmetic stamped steel frame with low-profile lip no countersinking required
- Frequency response (.frd) and impedance (.zma) text files available
- Same "family look" as the Dayton Audio DVC series subwoofers and passive radiators

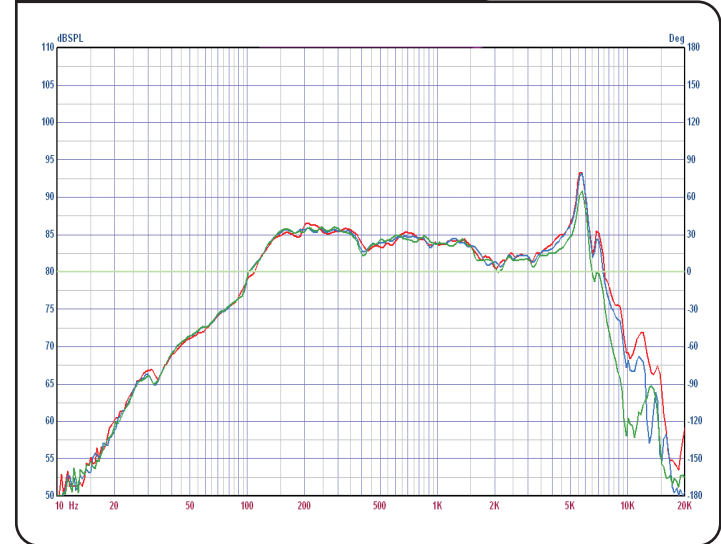
Parameters

Impedance (Ω)	8
Re (Ω)	5.9
Le (mH) @ 1 kHz	0.86
Fs (Hz)	58.9
Qms	2.12
Qes	0.46
Qts	0.38
Mms (g)	7.9
Cms (mm/N)	0.92
Sd (cm ²)	54.1
Vd (cm ³)	221.8
BL (Tm)	6.1
VAS (liters)	3.83
XMAX (mm)	4.1
VC Diameter (mm)	25.4
SPL (dB@2.83V/1m)	85.5
RMS Power Handling (w)	35
Usable Frequency Range (Hz)	60 - 8,000



Note: All dimensions in mm.

Frequency Response



Impedance/Phase

