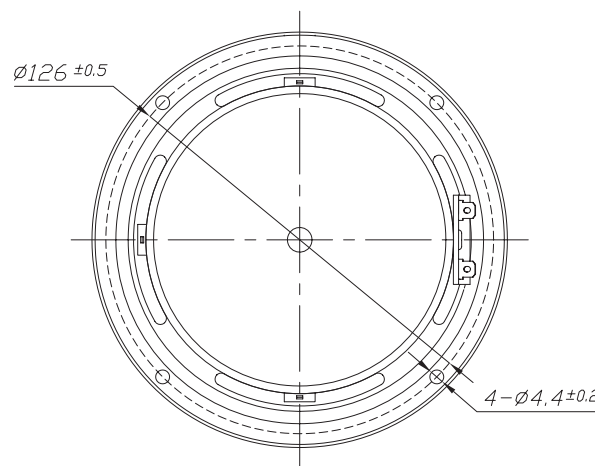
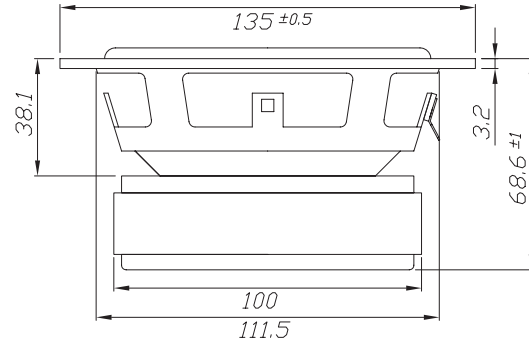


Features

- Rigid poly coated paper cone with rubber surround
- 1" 2-layer copper voice coil on aluminum former
- Linear Conex spider and strong ferrite motor for controlled motion
- Vented pole piece to reduce compression and increase heat dissipation
- Cosmetic stamped steel frame with low-profile lip no countersinking required
- Frequency response (.frd) and impedance (.zma) text files available
- Same "family look" as the Dayton Audio DVC series subwoofers and passive radiators

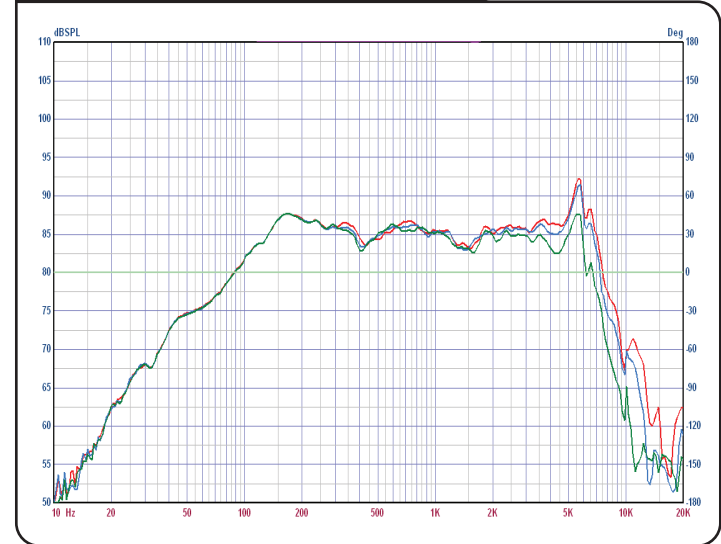
Parameters

Impedance (Ω)	8
Re (Ω)	5.9
Le (mH) @ 1 kHz	0.88
Fs (Hz)	50.9
Qms	1.94
Qes	0.44
Qts	0.36
Mms (g)	10.4
Cms (mm/N)	0.94
Sd (cm ²)	75.4
Vd (cm ³)	365.8
BL (Tm)	6.7
VAS (liters)	7.55
XMAX (mm)	4.85
VC Diameter (mm)	25.4
SPL (dB@2.83W/1m)	86.9
RMS Power Handling (w)	50
Usable Frequency Range (Hz)	50 - 7,000



Note: All dimensions in mm.

Frequency Response



Impedance/Phase

