

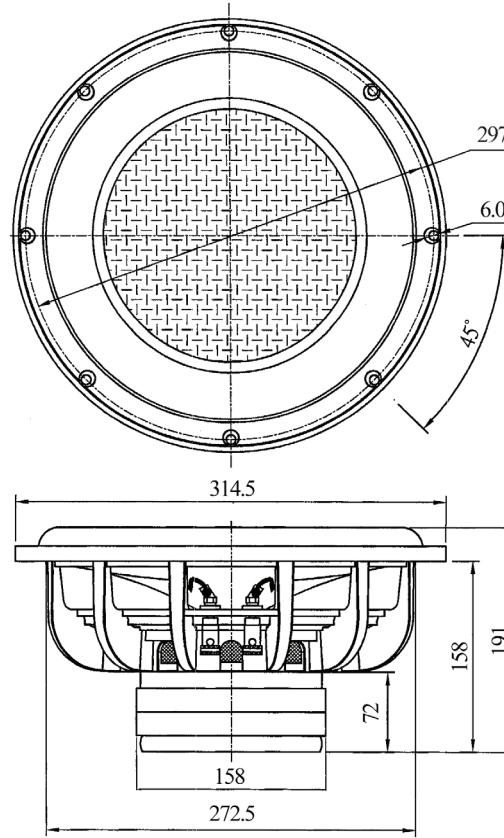
Features

- Dual 2 ohm, 2-layer voice coils
- One-piece Nomex honeycomb covered with woven glass-fiber cone
- Tall-boy rubber surround for extra-long linear excursion
- Dual linear stiffness spiders limit distortion and rocking modes
- Large copper sleeve and cap reduce distortion due to inductance variations
- Black anodized aluminum former and black pole improves heat dissipation
- Large vented pole piece and under-spider venting

Parameters

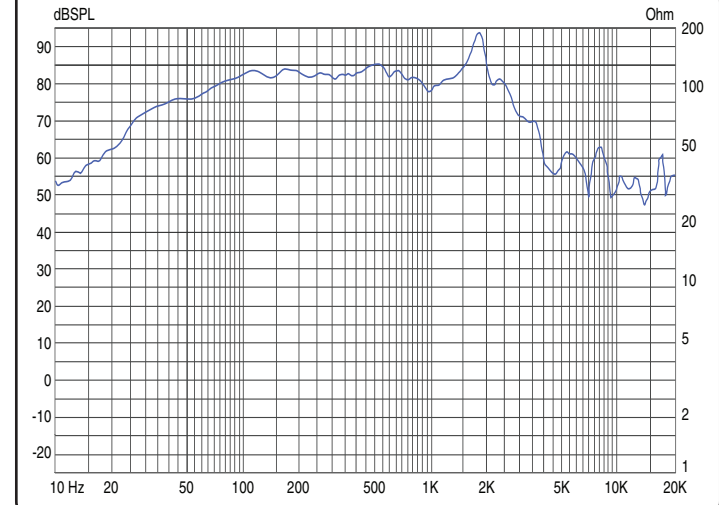
Impedance (Ω) (2+2)	4
Re (Ω)	3.3
Le (mH) @ 1 kHz	1.22
Fs (Hz)	24.9
Qms	3.45
Qes	0.71
Qts	0.59
Mms (g)	193.2
Cms (mm/N)	0.21
Sd (cm ²)	490.9
Vd (cm ³)	932.7
BL (Tm)	11.8
VAS (liters)	71.6
XMAX (mm)	19
VC Diameter (mm)	63.5
SPL (dB@1W/1m)	84.0
RMS Power Handling (w)	600
Usable Frequency Range (Hz)	20 - 1,000

Note: All parameters are derived with voice coils wired in series.



Note: All dimensions in mm.

Frequency Response



Impedance/Phase

