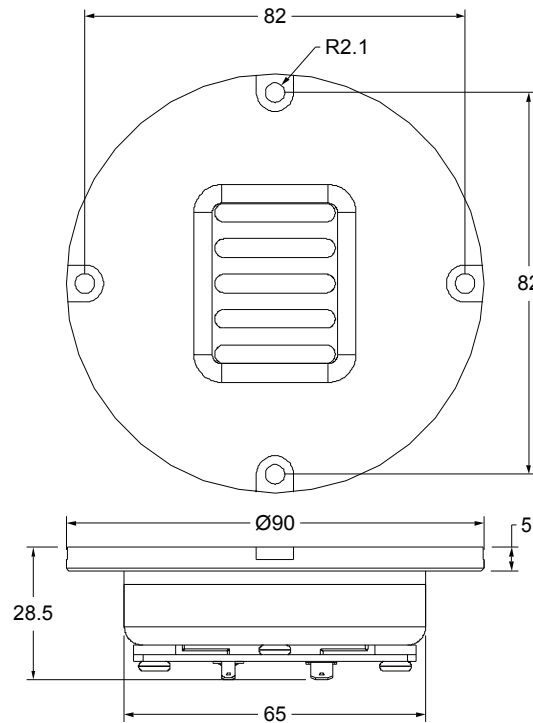
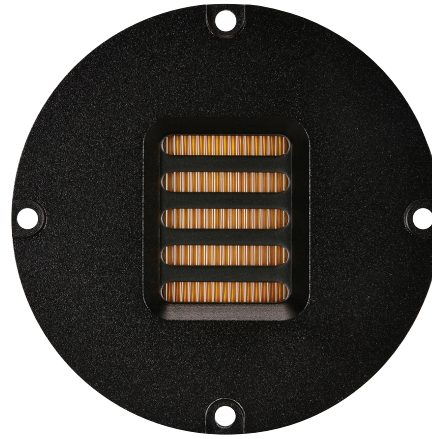


Features

- Innovative Air Motion Transformer (AMT) technology
- Low-mass pleated Kapton diaphragm
- Highly detailed and dynamic output
- Very low distortion
- High efficiency
- Powerful Neodymium magnets

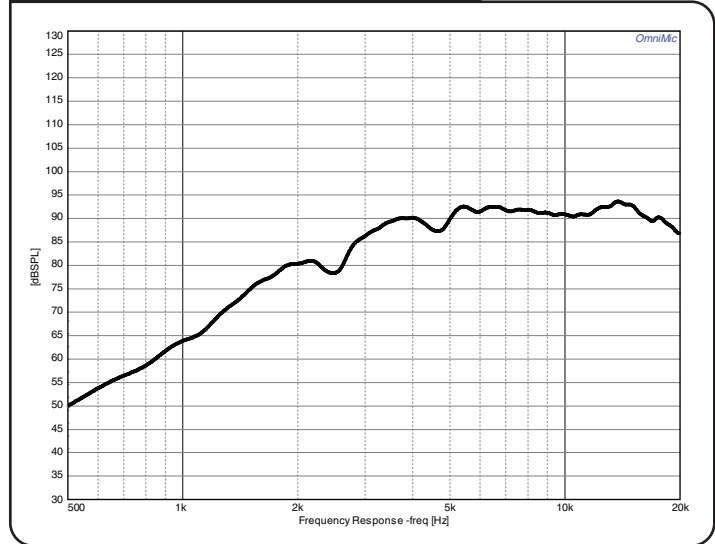
Parameters

Impedance (Ω)	4
Re (Ω)	3.9
Le (mH) @ 10 kHz	—
Fs (Hz)	2,300
Qms	—
Qes	—
Qts	2.44
Mms (g)	—
Cms (mm/N)	—
Sd (cm ²)	8.91
Vd (cm ³)	—
BL (Tm)	—
VAS (liters)	—
XMAX (mm)	—
VC Diameter (mm)	—
SPL (dB@1W/1m)	91.0
RMS Power Handling (w)	15
Usable Frequency Range (Hz)	2,500 - 22,000



Note: All dimensions in mm.

Frequency Response



Impedance/Phase

