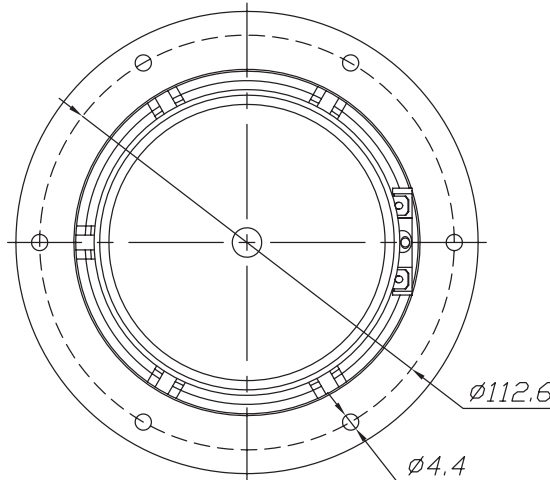
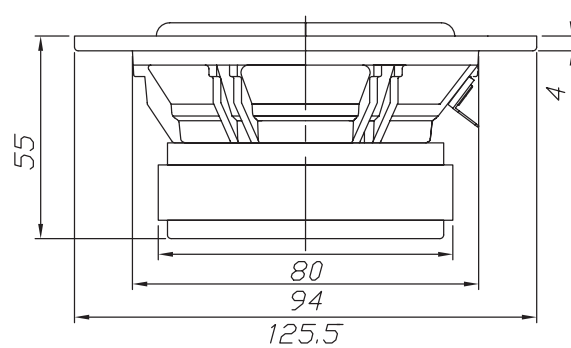


**Features**

- Lightweight black anodized aluminum cone
- Attractive 6-hole cast frame
- Advanced low distortion motor design
- Solid aluminum phase plug
- Rubber surround

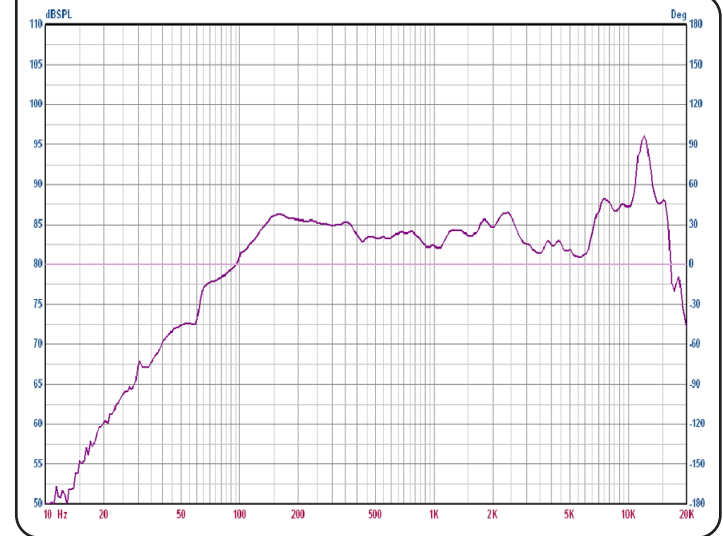
**Parameters**

Impedance ( $\Omega$ )	8
Re ( $\Omega$ )	5.86
Le (mH) @ 1 kHz	0.59
Fs (Hz)	70.0
Qms	2.70
Qes	0.59
Qts	0.49
Mms (g)	5.3
Cms (mm/N)	0.98
Sd (cm <sup>2</sup> )	55.4
Vd (cm <sup>3</sup> )	22.2
BL (Tm)	4.8
VAS (liters)	4.2
XMAX (mm)	4.0
VC Diameter (mm)	25.9
SPL (dB@1W/1m)	85.8
RMS Power Handling (w)	35
Usable Frequency Range (Hz)	70 - 6,000



Note: All dimensions in mm.

**Frequency Response**



**Impedance/Phase**

