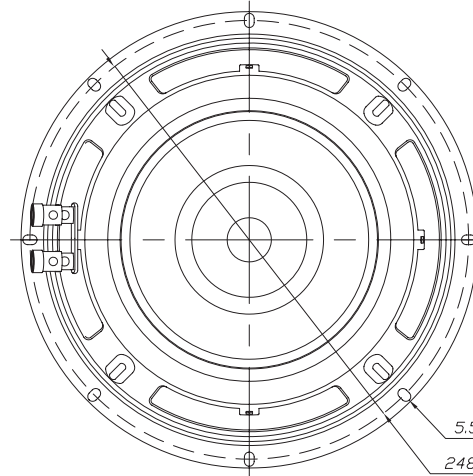
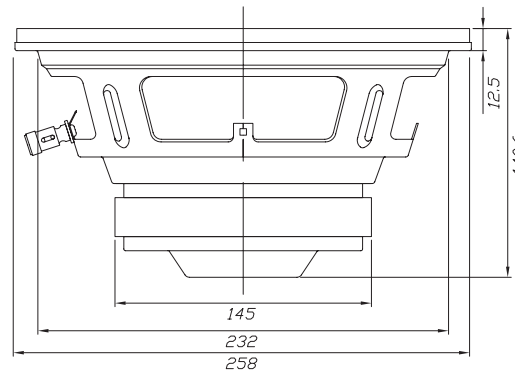


### Features

- Kevlar reinforced cone
- High-temperature 4-layer voice coil
- Copper pole piece cap for lower distortion
- Vented pole piece and bump back plate for improved excursion
- Great for home or car audio applications
- 5 year warranty

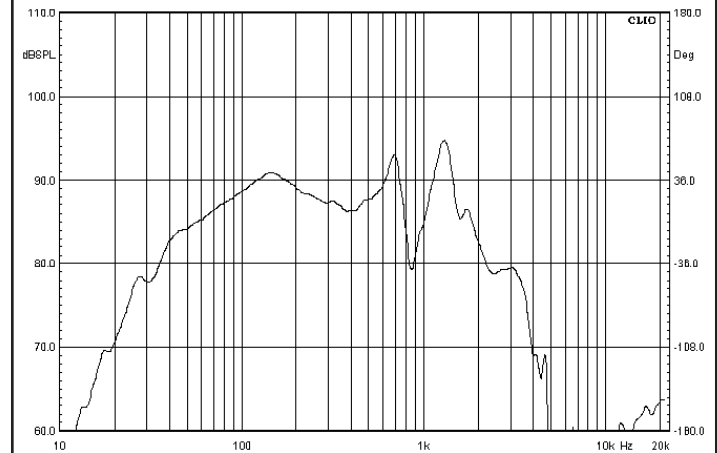
### Parameters

Impedance ( $\Omega$ )	4
Re ( $\Omega$ )	3.0
Le (mH) @ 1 kHz	1.60
Fs (Hz)	30.9
Qms	4.89
Qes	0.37
Qts	0.34
Mms (g)	93.4
Cms (mm/N)	0.28
Sd (cm <sup>2</sup> )	346.4
Vd (liters)	287.5
BL (Tm)	12.13
VAS (liters)	47.9
XMAX (mm)	8.3
VC Diameter (mm)	49.5
SPL (dB@1W/1m)	89.0
RMS Power Handling (w)	200
Usable Frequency Range (Hz)	31 - 200



Note: All dimensions in mm.

### Frequency Response



Note: Due to testing limitations, response below 200 Hz is not an actual representation.

### Impedance/Phase

