



UW 958

Ultimate Woofer,

Ø 9", Ø 5.1" voicecoil, 8Ω



SPECIFICATIONS

General Data

Overall Dimensions	DxH	222mmx125mm(8.74"x4.92")
Nominal Power Handling (DIN)	P	500W
Transient Power 10ms		1500W
Sensitivity 2.83V/1M		85.8 dB SPL
Frequency Response		See graph
Cone Material		Composite cellular fiber
Net Weight	Kg	5.95

Electrical Data

Nominal Impedance	Z	8Ω
DC Resistance	Re	6.2Ω
Voice Coil Inductance @ 1KHz	LBM	1.32mH

Voice Coil and Magnet Parameters

Voice Coil Diameter	DIA	130mm (5.1")
Voice Coil Height		35mm (1.37")
HE Magnetic Gap Height	HE	12mm (0.47")
Max. Linear Excursion	X	± 11.5mm (0.45")
Voice Coil Former		Aluminum
Voice Coil Wire		Hexatech™ Aluminum
Number Of Layers		2
Magnet System Type		High flux double ferrite vented
B Flux Density	B	0.64 T
BL Product	BXL	13 N.A

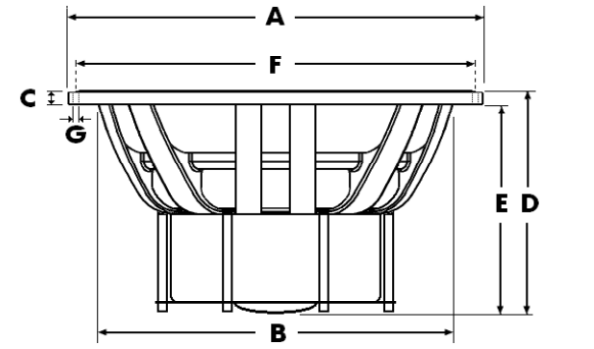
T-S Parameters

	Small Signal	1 V
Suspension Compliance	Cms 0.47mm/N	
Mechanical Q Factor	Qms 1.61	
Electrical Q Factor	Qes 0.45	
Total Q Factor	Qts 0.35	
Mechanical Resistance	Rms 7.374Kg/s	
Moving Mass	Mms 65.5 g	
Eq. Cas Air Load (liters)	VAS 39.5 Lt	
Resonant Frequency	Fs 28 Hz	
Effective Piston Area	SD 243 cm ²	

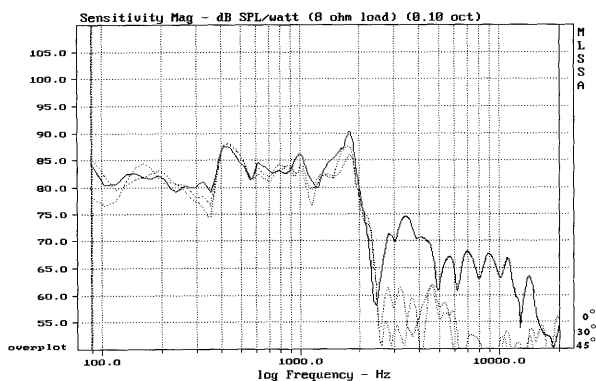
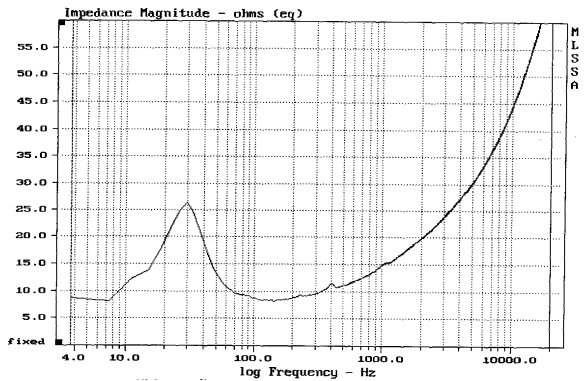
FEATURES

- * Uniflow™ Aluminum diecast chassis
- * High flux double Ferrite magnet system
- * 5.1" Large Hexatech™ Aluminum voice coil
- * One piece paper cone/center dome
- * Accucenter™ self centering cone assembly
- * PFS™ Progression Field Symmetry spider/surround engineering

Unit Dimensions



A - Overall diameter	222mm
B - Cut out diameter	200mm
C - Flange thickness	5mm
D - Overall height	125mm
E - Basket/magnet depth	120mm
F - Mounting holes location diameter	213mm
G - 6 Mounting holes, at 60° interval, inner hole diameter	Ø 5mm



Measured on IEC baffle using Bruel & Kjaer 3144 model microphone.
 For correct readings, measurement should be conducted after a sufficient run-in period,
 at minimum temperature of 21° C (69.8° F), for both drive unit and measurement environment.

Morel operate policy of continuous product design improvement, consequently specifications are subject to alteration without prior notice.